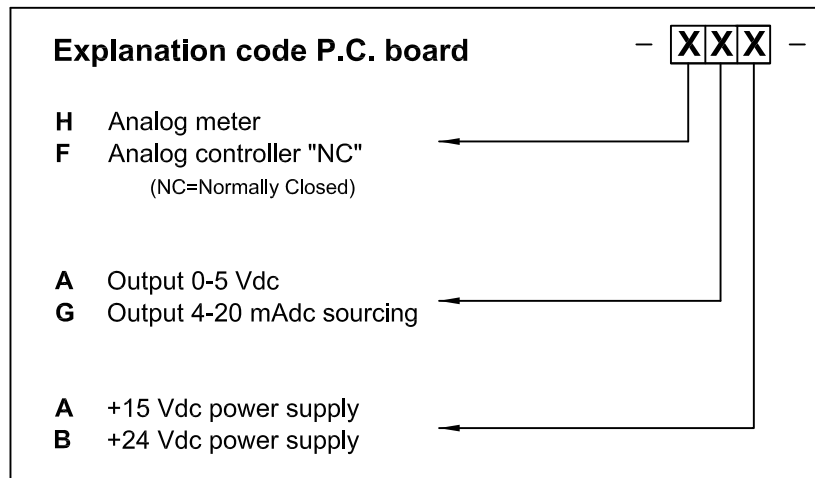
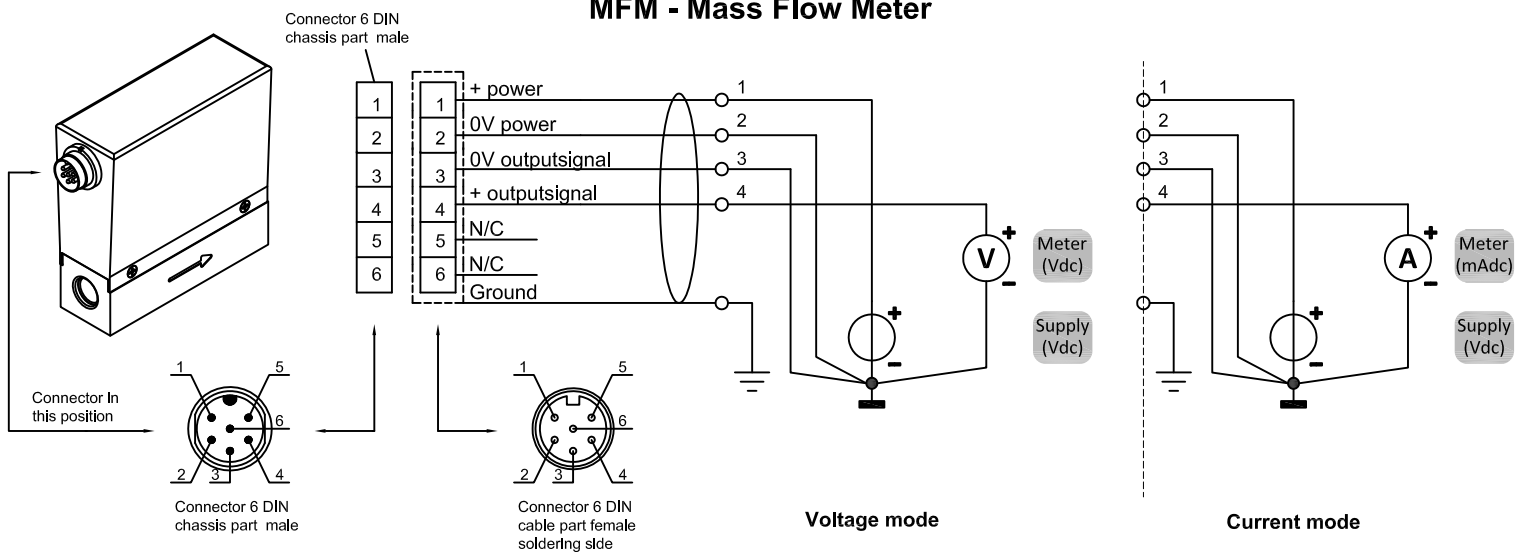


MASS-STREAM™

D-5100 and D-6200 hook-up diagram



MFM - Mass Flow Meter



MFC - Mass Flow Controller

