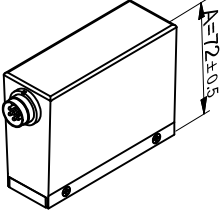
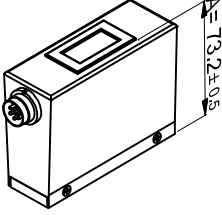
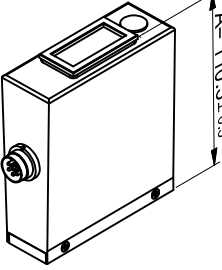
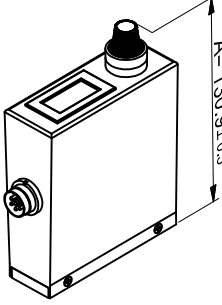
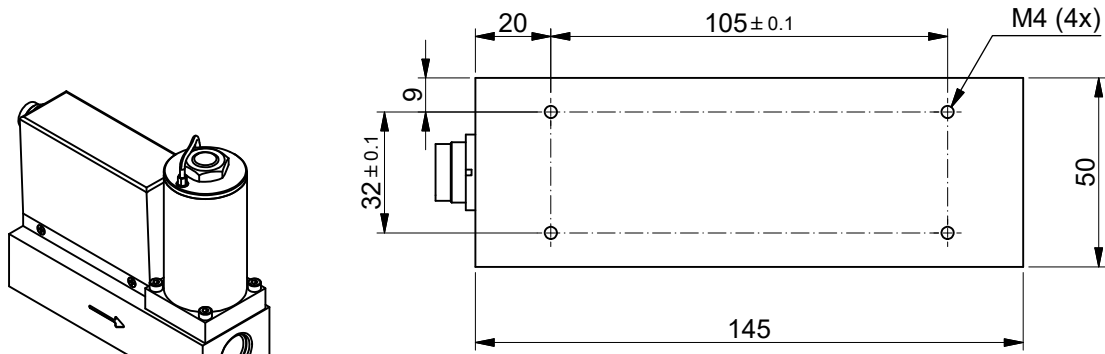
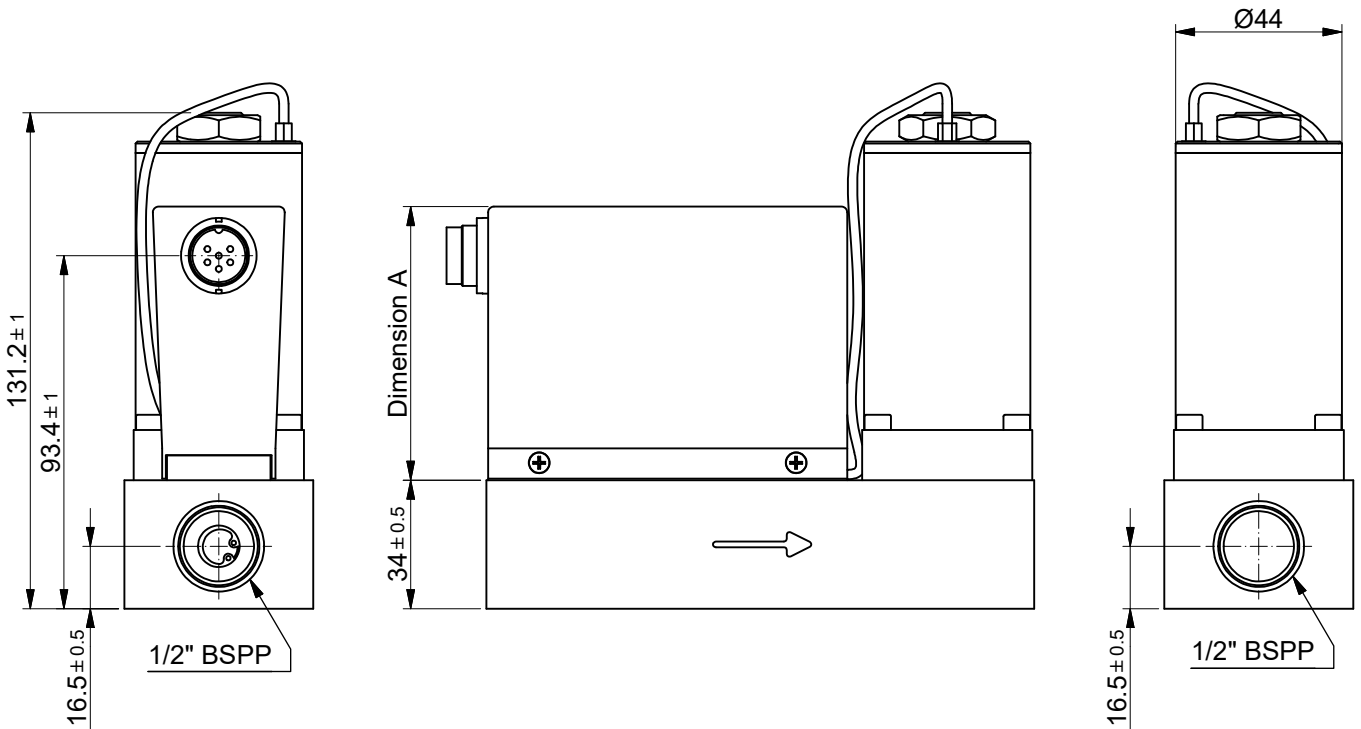


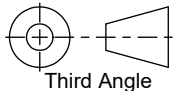

<p>1 (Scale 1:4)</p> 	<p>2 (Scale 1:4)</p> 	<p>3 (Scale 1:4)</p> 	<p>4 (Scale 1:4)</p> 
<p>Analog case assy</p>	<p>Analog case assy with display</p>	<p>Analog case assy with V/F convertor</p>	<p>Analog case assy including potentiometer</p>



(1 : 4)

Dimensions subject to change without notice.

Tolerances ± 0.2 unless otherwise mentioned

<p>Title: Dimensional drawing MASS-STREAM™ D-6211/6231 with F-004AC</p>	<p>Projection:  Third Angle</p>	<p>Drawer : M.B. Date: 28-12-2011</p>	<p>Revision Description: Rebranded and renamed.</p>		
 <p>WWW.BRONKHORST.COM</p>	<p>Dimensions: Metric (mm)</p>	<p>Checked : J.E. Date: 08-09-2016</p>	<p>Drawing no.: 7.05.832</p>	<p>Rev. by: R.Ge. Rev.: B</p>	<p>Scale: 1:2 A4 Page: 1-1</p>