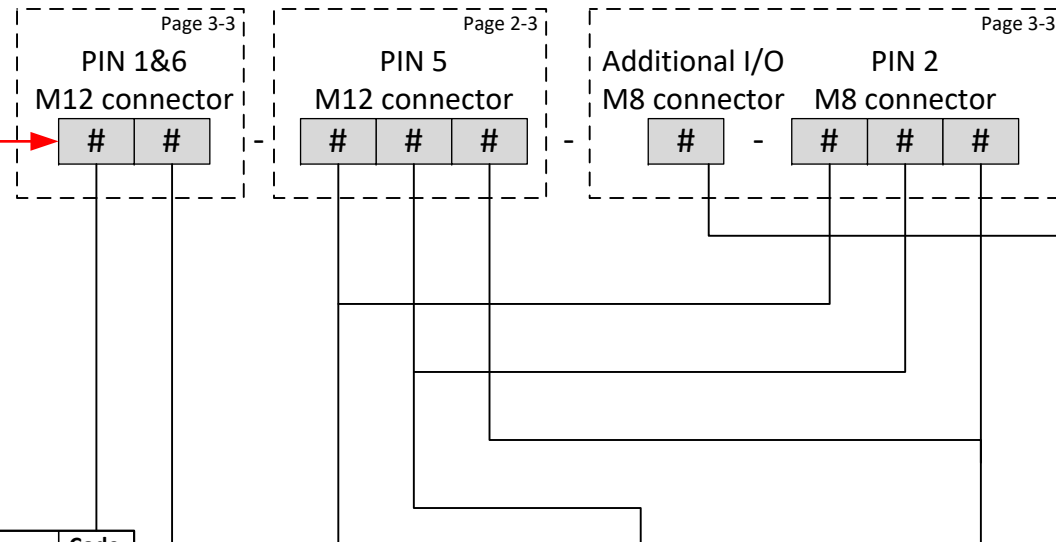


The label shown is for illustration purposes only and may vary on actual products.



Controller mode	Code
Controller disabled (meter only)	0
Controller enabled, analog setpoint	A
Controller enabled, digital setpoint	D

Integrated Comm. Mode	Code
RS232 – ProPar (default)	A
RS485 – FLOW-BUS	B
RS485 – Modbus RTU	C
RS485 – Modbus ASCII	D

Code	Type	Code	Range	Code	Linked parameter
0	Disabled	0	0 Vdc	0	-
A	Voltage output	0	0-5 Vdc	A	Alarm
		1	0-10 Vdc	B	Batch counter
		9	Custom	C	Control mode
B	Current output	0	0-20 mAdc	D	Density
		1	4-20 mAdc	E	Measure
		2	3.8-20.8 mAdc	F	Frequency
		9	Custom	I	IO switch status
C	Digital output	0	Remote parameter	P	Pressure
		1	Min alarm	S	Setpoint
		2	Max alarm	T	Temperature
		3	Min/max alarm	V	Controller output
		4	Counter limit reached	Z	Custom
		5	Enabled by setpoint		
		9	Custom		
D	Frequency output	9	Custom		
E	PWM output	9	Custom		
F	Pulse output	9	Custom		
G	Voltage input * only on Pin 5	0	0-5 Vdc	C	Control mode
		1	0-10 Vdc	E	Measure (external sensor)
		9	Custom	I	IO switch status
H	Current input * only on Pin 5	0	0-20 mAdc	N	Calibration mode
		1	4-20 mAdc	R	Reset
		9	Custom	S	Setpoint
I	Digital input	1	Counter reset	V	Actuator (Valve)
		2	Alarm reset	Z	Custom
		3	Close Valve		
		4	Counter reset/disable		
		5	Auto Zero		
		8	Purge Valve		
		9	Custom		

Code	Additional I/O connector (M8)
1	Enabled, Bronkhorst valve output (default)

Type	Range	Par	Configurable input/output (PIN 5 M12 / PIN 2 M8)
0	0	0	Disabled, 0 Vdc (default)
A	1	V	0-10 Vdc output, controller
B	1	V	4-20 mAdc output, controller
B	2	V	3.8-20.8 mAdc output (TEIP11/Badger), controller
C	3	A	Digital output, min/max alarm
C	4	A	Digital output, counter limit reached
C	5	S	Digital output, enabled by setpoint (for shut-off)
C	0	I	Digital output, high/low switch via remote parameter
D	9	E	Digital frequency output, measure
F	9	B	Digital pulse output, batch counter
I	3	C	Digital input, controller mode valve close
I	8	C	Digital input, controller mode valve purge
I	1	R	Digital input, reset counter
I	2	R	Digital input, reset alarm

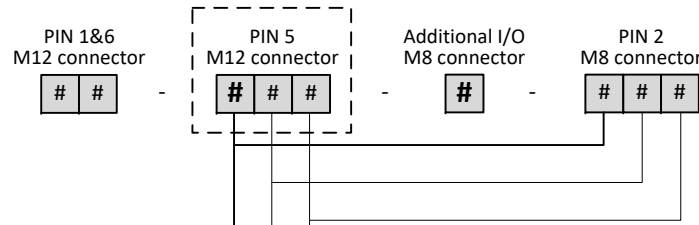
Other settings on request.

Preset Table

Check next page for Hook-up diagrams

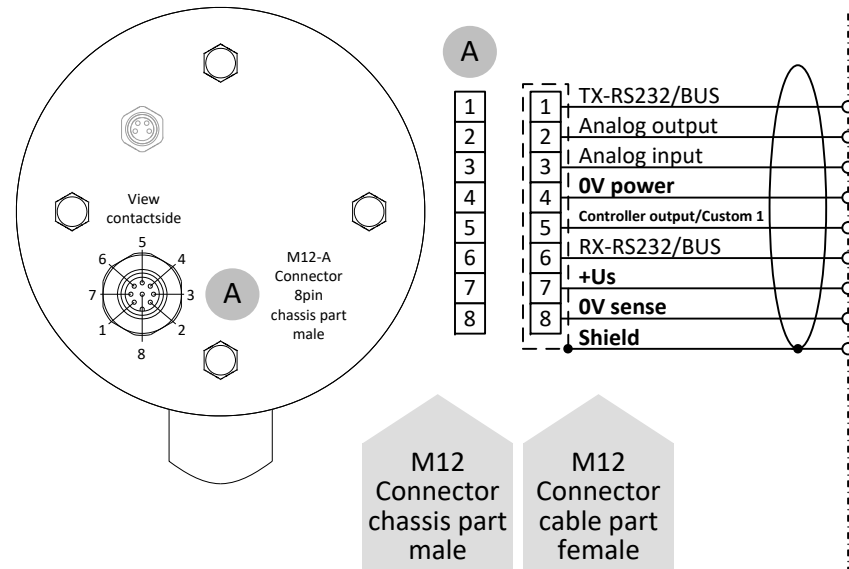
PIN 5 M12 / IO HOOK-UP DIAGRAMS

IO OPTIONS PIN 5 M12 / PIN 2 M8

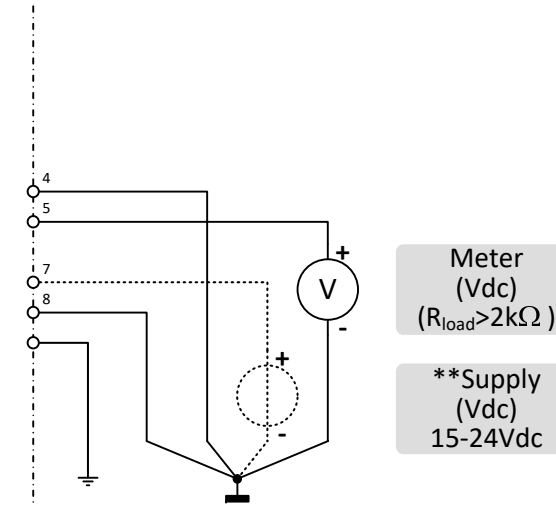


0	0	0	Disabled, 0 Vdc (default)
A	#	#	Vdc analog output
B	#	#	mAdc analog output
C	#	#	Digital output
D	#	#	Digital frequency output
E	#	#	Digital PWM output
F	#	#	Digital pulse output
G	#	#	Vdc analog input * only on Pin 5
H	#	#	mAdc analog input * only on Pin 5
I	#	#	Digital input

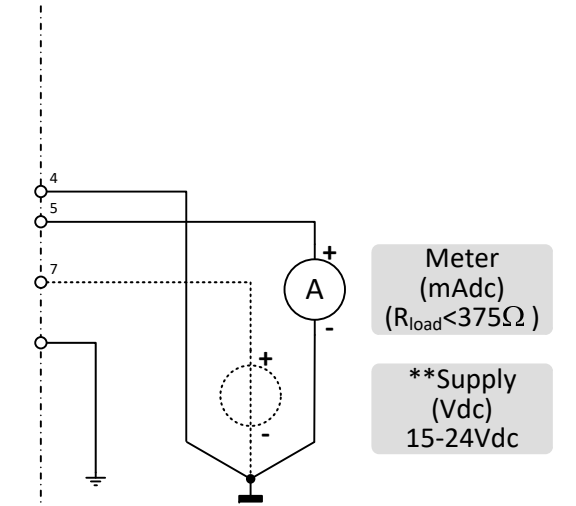
PIN CONNECTIONS M12



A	0	#	0-5 Vdc analog output
	1	#	0-10 Vdc analog output
	9	#	custom Vdc analog output



B	0	#	0-20 mAdc analog output
	1	#	4-20 mAdc analog output
	2	#	3.8-20.8 mAdc output
	9	#	Custom mAdc analog output



POWER SUPPLY WARNING

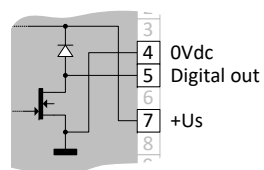
! ** Do not power the instrument simultaneously from two different power sources (e.g. bus connection and Plug-in Power Supply). Doing so will damage the printed circuit board irreparably.

! When connecting the system to other devices, be sure that the integrity of the shielding is not affected. Do not use unshielded wire terminals.

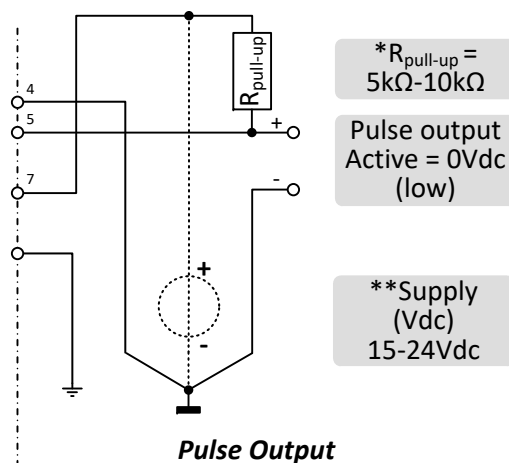
Note: 0V power (PIN 4) and 0V sense (PIN 8) should be separately connected to the 0Vdc terminal at the power supply for long cable compensation

Note: In analog mode with 'mAdc' signals 0V sense (PIN 8) does not need to be connected. The instrument's operation will not be effected in case 0Vdc sense is already hooked-up

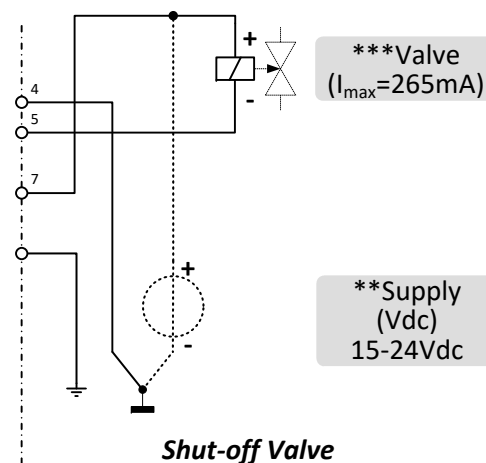
Internal setup digital output



C	#	#	Digital output
D	#	#	Digital frequency output
E	#	#	Digital PWM output
F	#	#	Digital pulse output

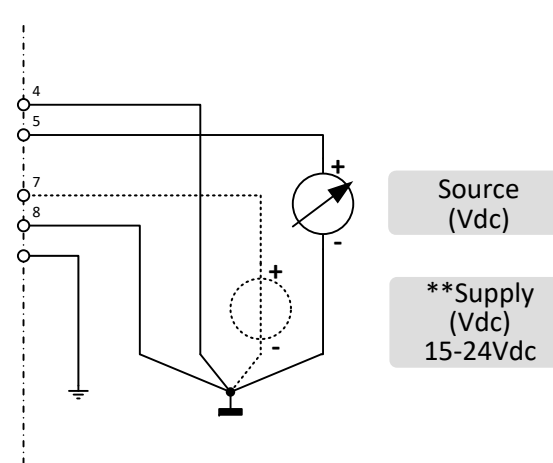


Note: * Use $R_{pull-up}$ (between 5k Ω and 10 k Ω) to create 15-24Vdc at PIN 5



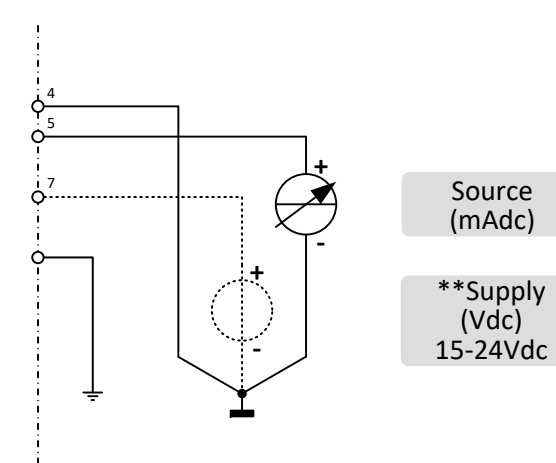
Note: *** For 15Vdc supply the minimal load is 60 Ω , for 24Vdc supply the minimal load is 90 Ω

G	0	#	0-5 Vdc analog input
	1	#	0-10 Vdc analog input
	9	#	custom Vdc analog input



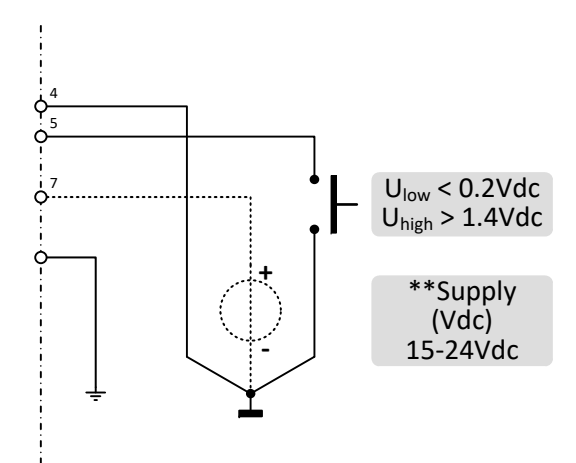
Note: 0V power (PIN 4) and 0V sense (PIN 8) should be separately connected to the 0V terminal at the power supply. (Impedance = 250k Ω)

H	0	#	0-20 mAdc analog input
	1	#	4-20 mAdc analog input
	9	#	Custom mAdc analog input



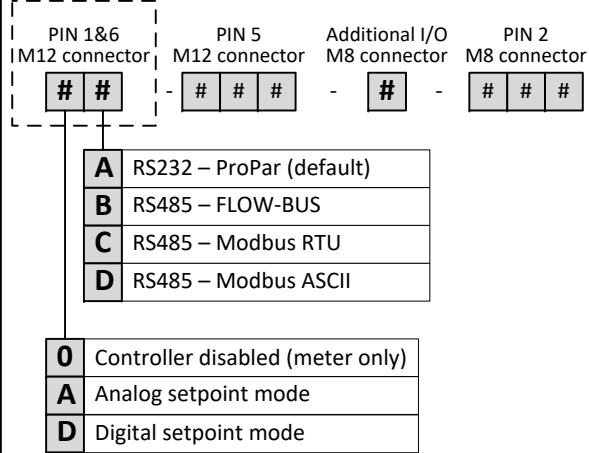
Note: In analog mode with 'mAdc' signals 0V sense (PIN 8) does not need to be connected. The instrument's operation will not be effected in case 0Vdc sense is already hooked-up. (Impedance = 250 Ω)

I	#	#	Digital input
---	---	---	---------------



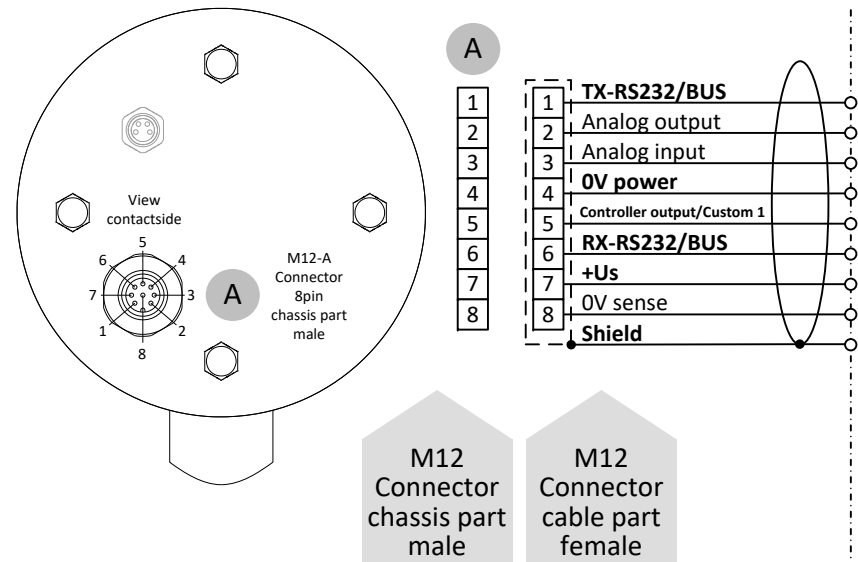
PIN 1&6, RS232/RS485 HOOK-UP DIAGRAMS

PIN 1&6 BUS OPTIONS



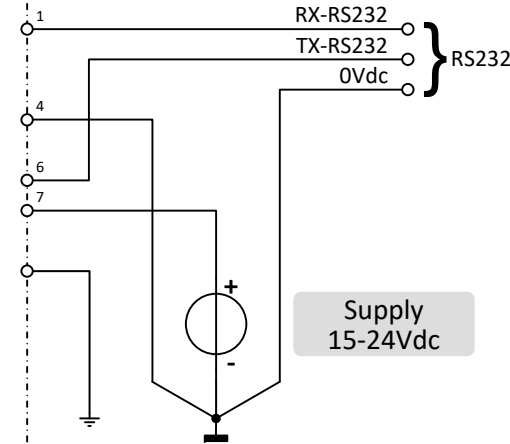
Note:
When the instrument is configured for analog setpoint mode it is not possible to give a setpoint via FLOW-BUS or Modbus input on the M12 connector.
To configure the instrument for digital operation, change parameter 'control mode'. See doc.nr. 9.17.116 for more details.

PIN CONNECTIONS M12

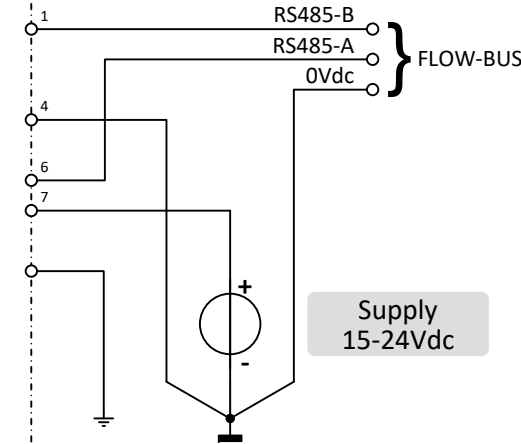


⚠ When connecting the system to other devices, be sure that the integrity of the shielding is not affected. Do not use unshielded wire terminals.

A RS232 – ProPar (default)

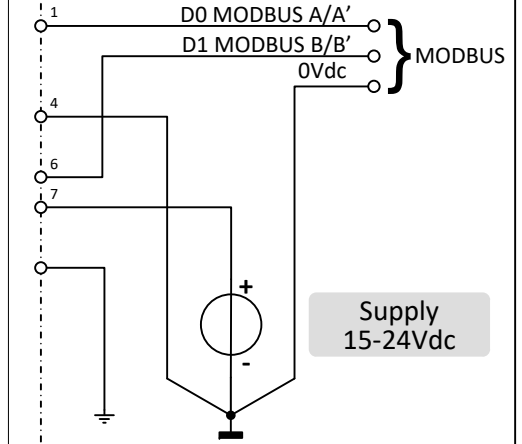


B RS485 – FLOW-BUS



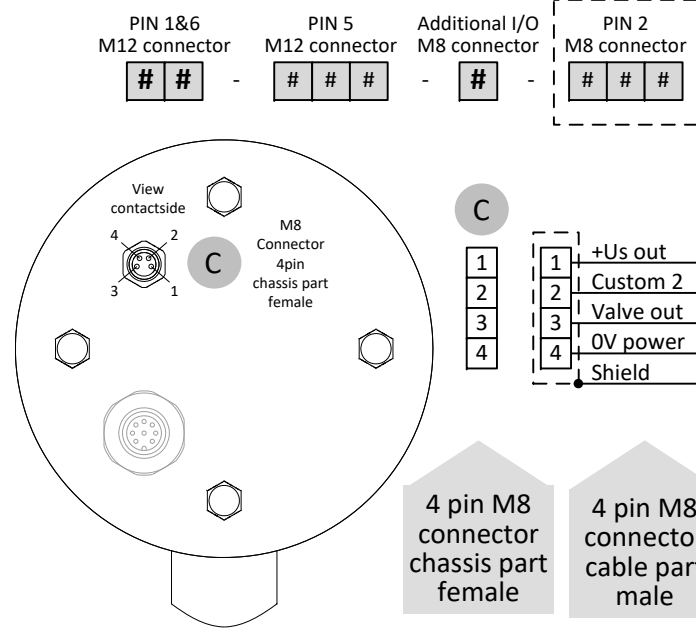
C RS485 – Modbus RTU

D RS485 – Modbus ASCII



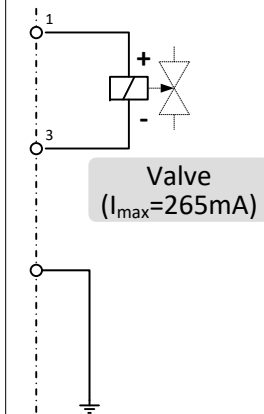
Additional actuator connector, HOOK-UP DIAGRAMS

actuator PIN CONNECTIONS M8

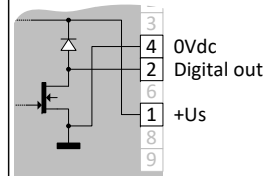


⚠ When connecting the system to other devices, be sure that the integrity of the shielding is not affected. Do not use unshielded wire terminals.

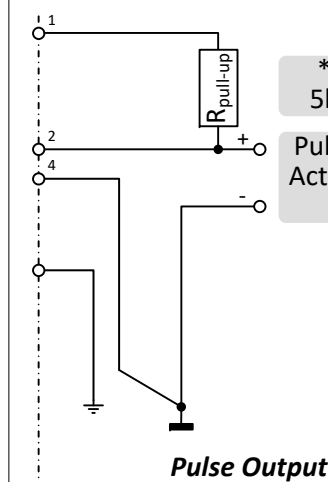
Bronkhorst (proportional) valve connection



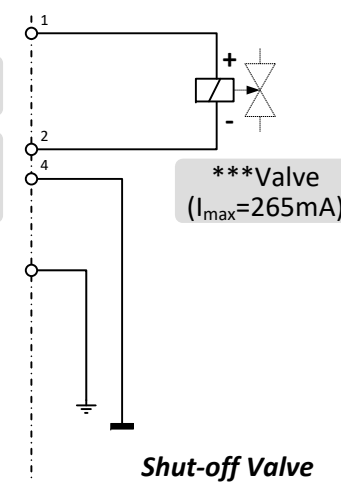
Internal setup digital output



C	#	#	Digital output
D	#	#	Digital frequency output
E	#	#	Digital PWM output
F	#	#	Digital pulse output

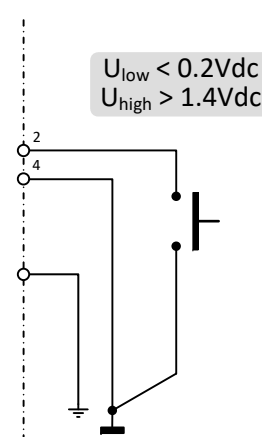


Note: * Use $R_{pull-up}$ (between 5k Ω and 10 k Ω) to create 15-24Vdc at PIN 5

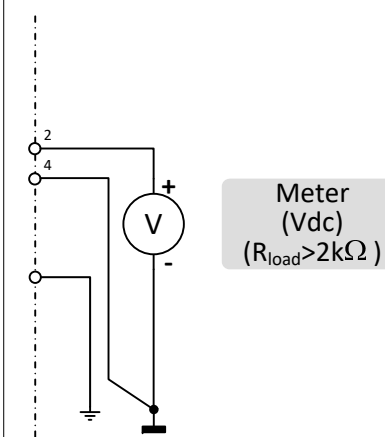


Note: *** For 15Vdc supply the minimal Load is 60 Ω , for 24Vdc supply the minimal load is 90 Ω

I # # Digital input



A	0	#	0-5 Vdc analog output
	1	#	0-10 Vdc analog output
	9	#	custom Vdc analog output



Note: This output has no long cable compensation

B	0	#	0-20 mAdc analog output
	1	#	4-20 mAdc analog output
	2	#	3.8-20.8 mAdc output
	9	#	Custom mAdc analog output

