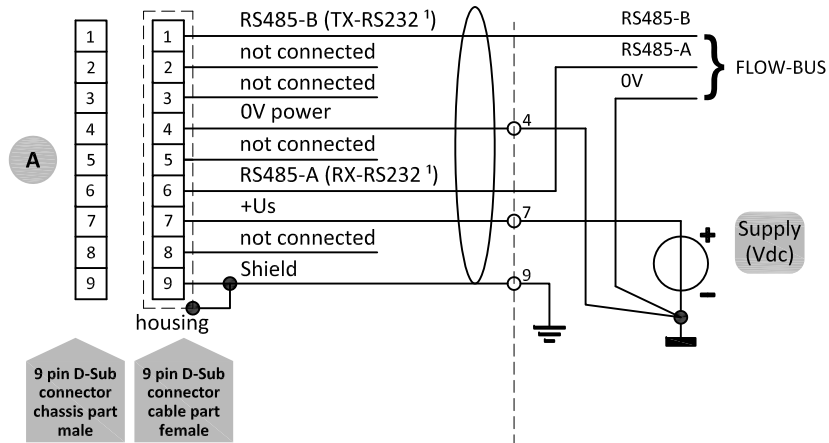
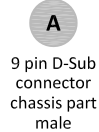
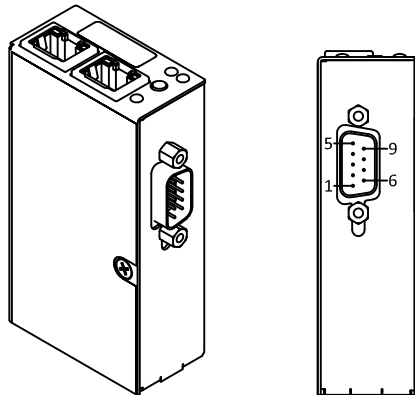
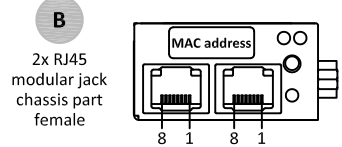
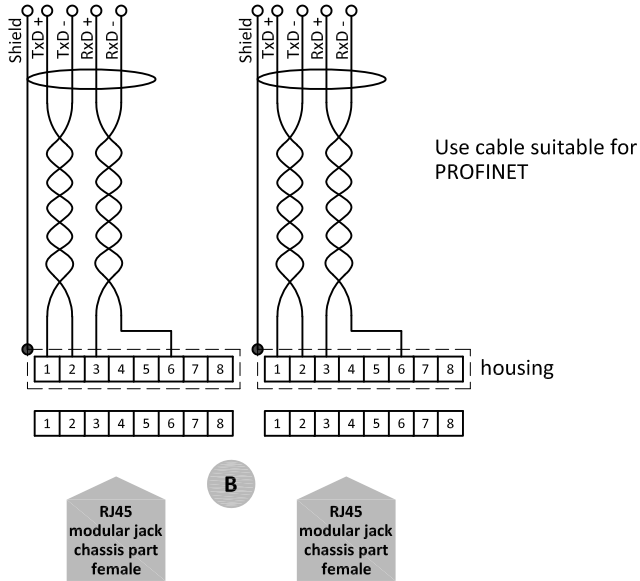


PROFINET connection



Note:
¹⁾ Configuration mode