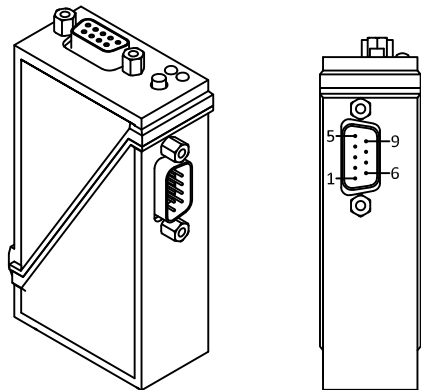
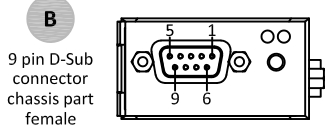
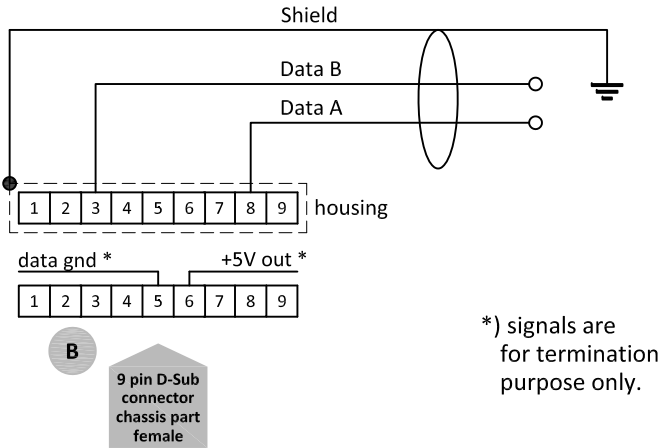
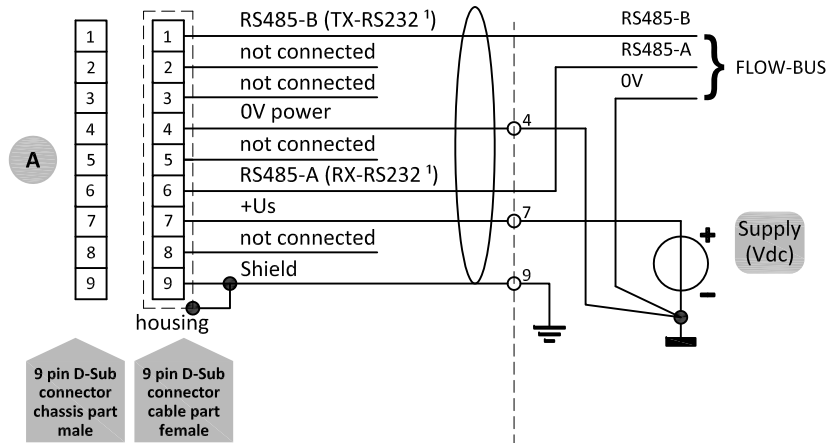


PROFIBUS connection



A 9 pin D-Sub connector chassis part male



Note:
¹⁾ Configuration mode