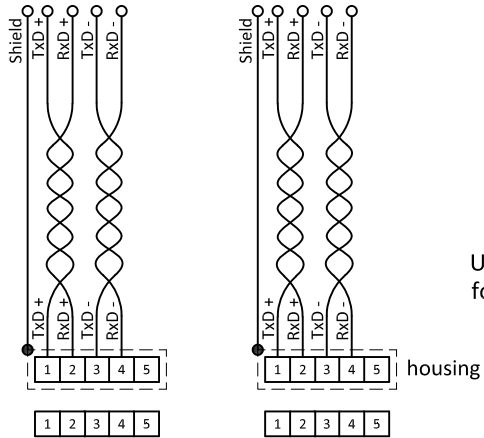


PROFINET connection



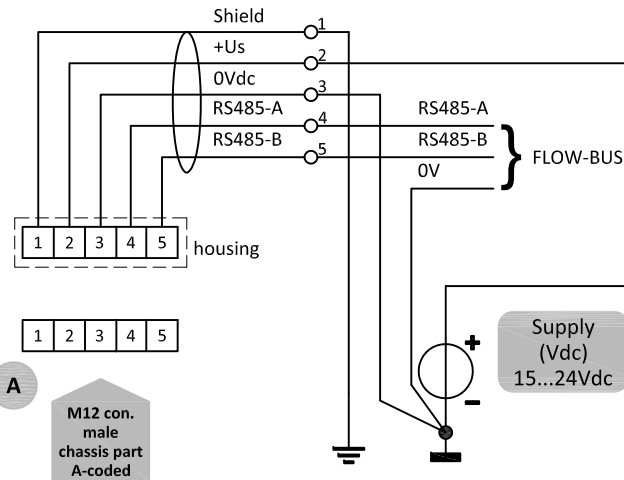
Use cable suitable for PROFINET

B

M12 con. female chassis part D-coded

M12 con. female chassis part D-coded

FLOW-BUS connection

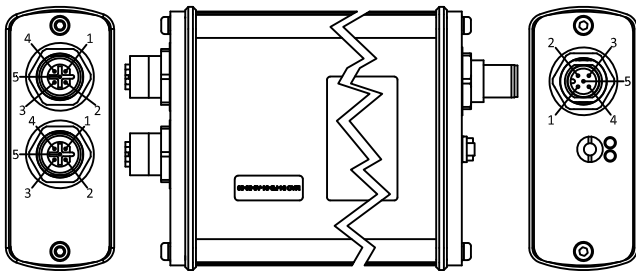


A

M12 con. male chassis part A-coded

B

2x M12 con. female chassis part D-coded



A

M12 con. male chassis part A-coded