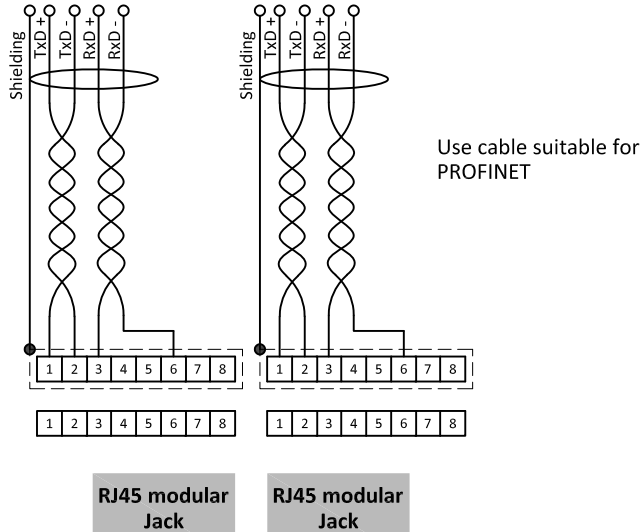
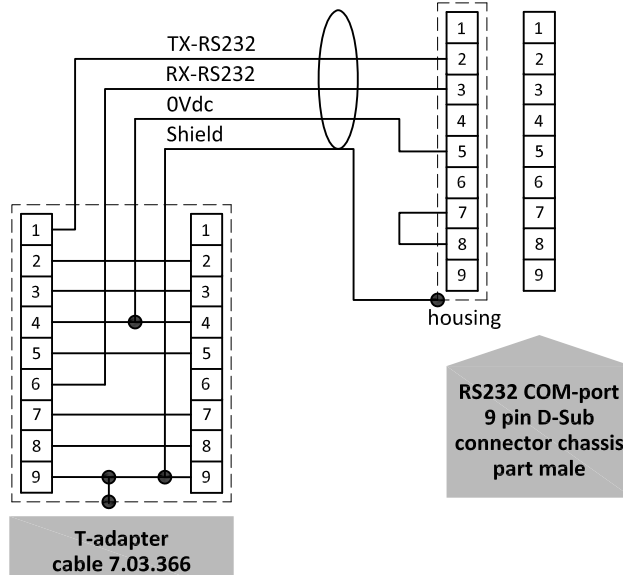


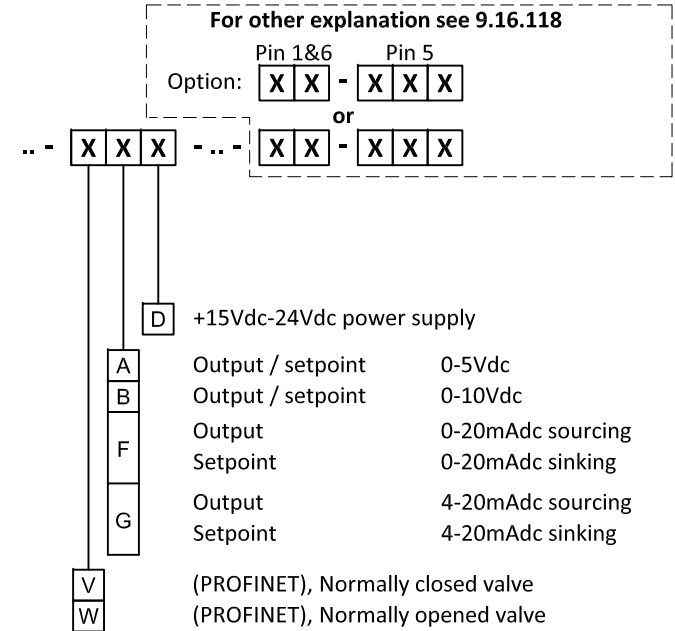
### PROFINET connection



### RS232 connection



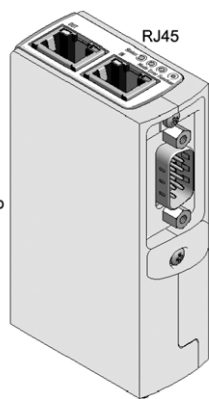
### Model key explanation



2x RJ45  
connector  
chassis part  
female



9 pin D-Sub  
Connector  
chassis part  
male



- |   |               |
|---|---------------|
| 1 | TX-RS232/BUS  |
| 2 | Analog output |
| 3 | Analog input  |
| 4 | 0V power      |
| 5 | Custom 1      |
| 6 | RX-RS232/BUS  |
| 7 | +Us           |
| 8 | 0V sense      |
| 9 | Shield        |
- Instrument signals

9 pin D-Sub  
connector  
chassis part  
male

Note:  
1) Default disabled, 0Vdc.

Note:

When using a field bus or RS232, it is not possible to operate the instrument by using the setpoint signal of the analog D-sub connector without changing the value of parameter "control mode". See doc.nr. 9.17.023 for more details.

Do not connect an external valve to instruments, set as MFM or EPM.

- |   |               |
|---|---------------|
| 1 | Analog output |
| 2 | Analog input  |
| 3 | 0V power      |
| 4 | Custom 1      |
| 5 | RX-RS232/BUS  |
| 6 | +Us           |
| 7 | 0V sense      |
| 8 | Shield        |
| 9 | Shield        |
- housing

9 pin D-Sub  
connector  
cable part  
female

