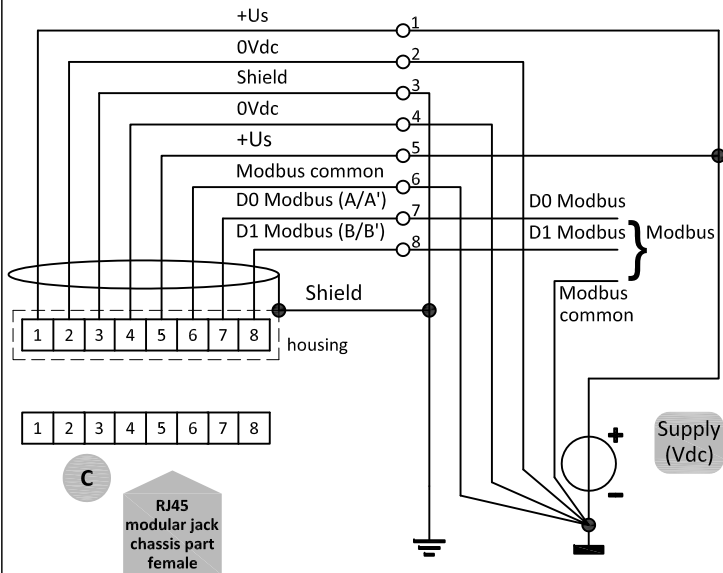


Modbus

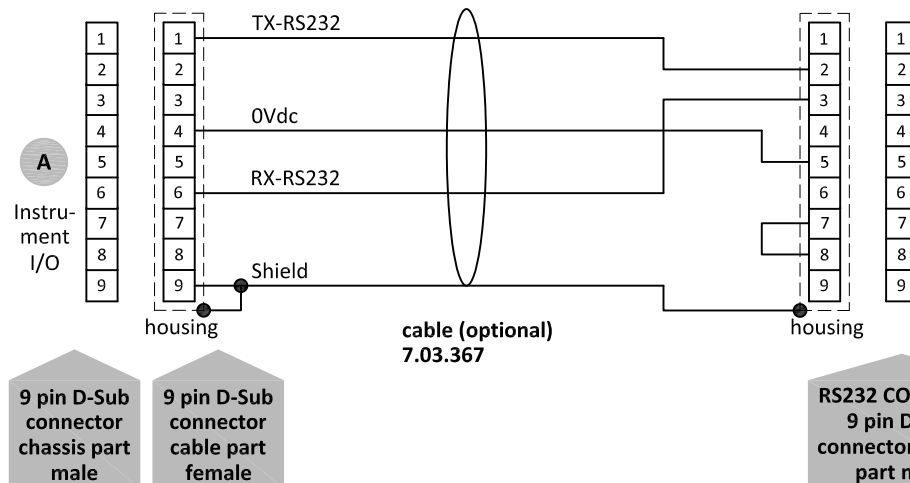
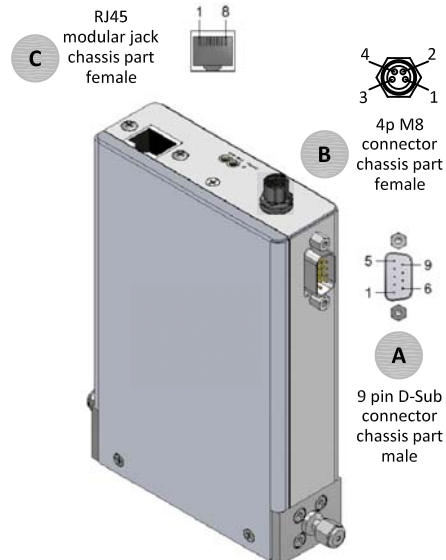
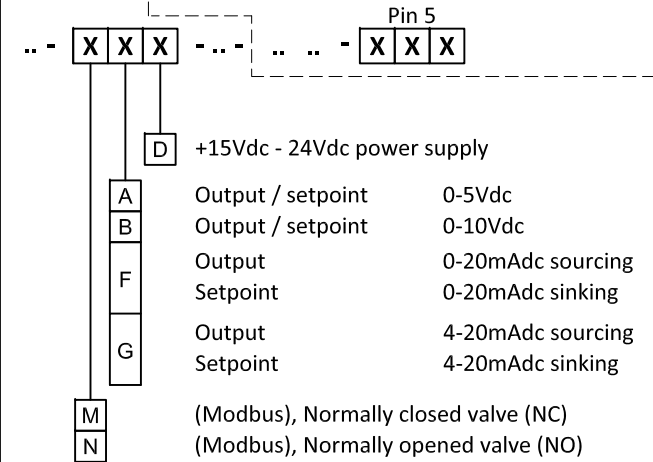
MBC3 Hook-up diagram ML Series instruments

Modbus connection



Model key explanation

For other explanation see 9.16.131



Note:
When using a field bus or RS232, it is not possible to operate the instrument by using the setpoint signal of the analog D-sub connector without changing the value of parameter "control mode".
See doc.nr. 9.17.023 for more details

Note:
Do not connect an external valve to instruments, set as meter.

Note:
Powering a single instrument is possible by the D-sub connector.
Please consult 9.16.132 for a connection diagram.

Note:
For information about the optional B "Valve/Actuator" connector.
See doc.nr. 9.16.131 for more details.