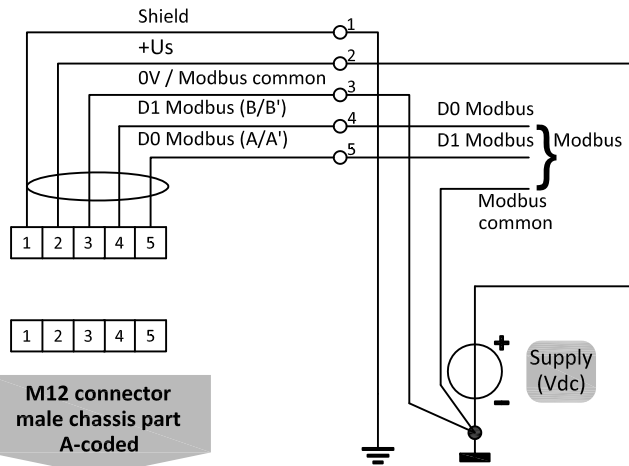
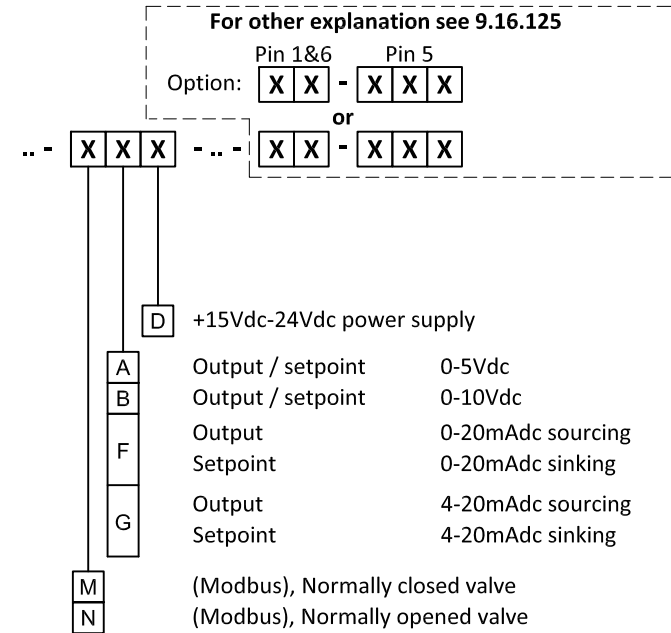


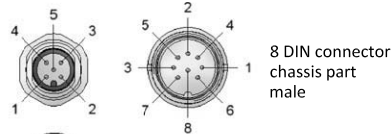
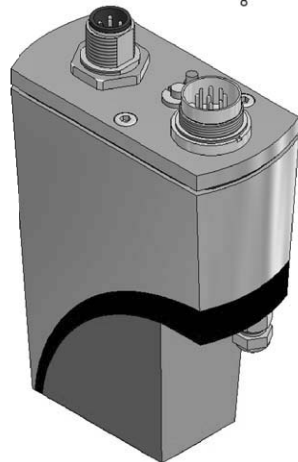
### Modbus connection



### Model key explanation



M12 connector male chassis part A-coded

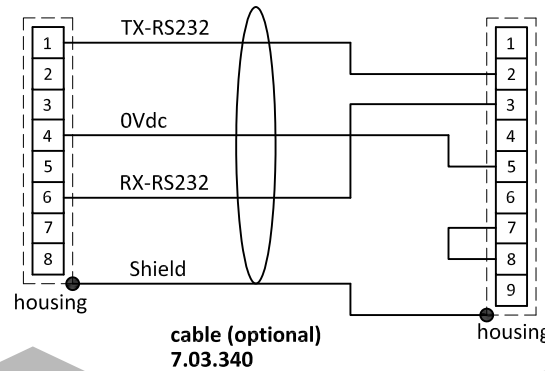


8 DIN connector chassis part male

1	TX-RS232/BUS
2	Analog output
3	Analog input
4	0V power
5	Custom <sup>1</sup>
6	RX-RS232/BUS
7	+Us
8	0V sense

**Instrument signals**

8 DIN connector cable part female



Note:  
 When using a field bus or RS232, it is not possible to operate the instrument by using the setpoint signal of the analog D-sub connector without changing the value of parameter "control mode".  
 See doc.nr. 9.17.023 for more details

Note:  
 Do not connect an external valve to instruments, set as MFM or EPM

Note:  
 Powering a single instrument is possible by the D-sub connector.  
 Please consult 9.16.126 for a connection diagram.

RS232 COM -port 9 pin D-Sub connector chassis part male

Note:  
 1) Default disabled, 0Vdc.