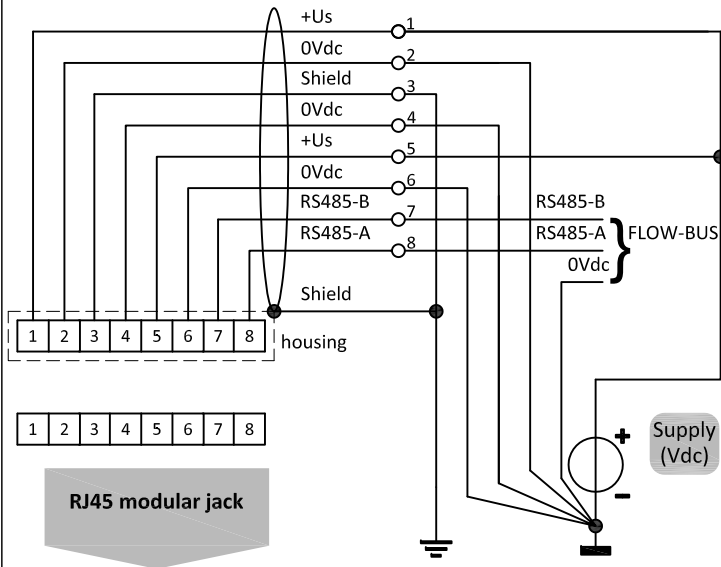
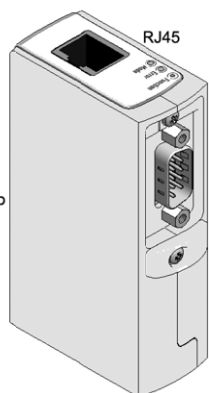
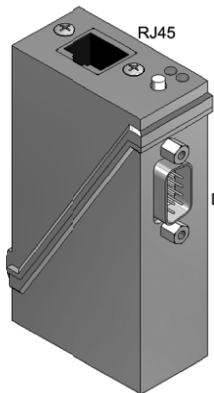
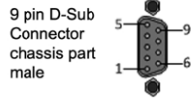
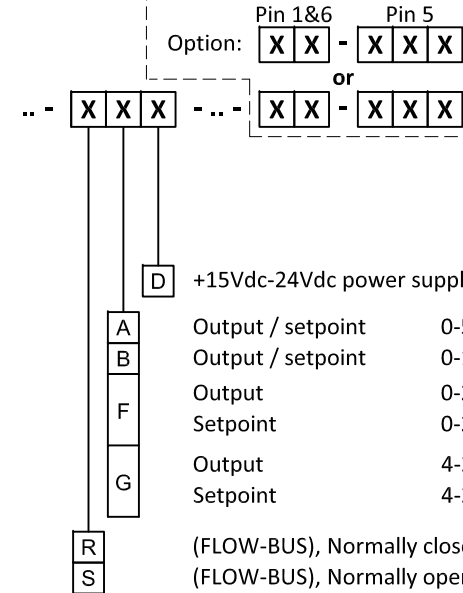


FLOW-BUS connection



Model key explanation

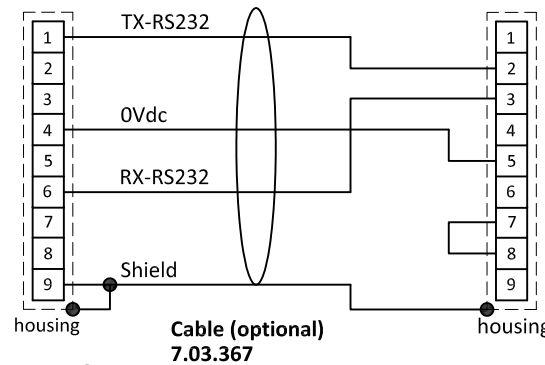
For other explanation see 9.16.118



1	TX-RS232/BUS
2	Analog output
3	Analog input
4	0V power
5	Custom ¹
6	RX-RS232/BUS
7	+Us
8	0V sense
9	Shield

Instrument signals

9 pin D-Sub connector chassis part male



9 pin D-Sub connector cable part female

RS232 COM -port 9 pin D-Sub connector chassis part male

Note:
When using a field bus or RS232, it is not possible to operate the instrument by using the setpoint signal of the analog D-sub connector without changing the value of parameter "control mode".
See doc.nr. 9.17.023 for more details

Note:
Do not connect an external valve to instruments, set as MFM or EPM

Note:
Powering a single instrument is possible by the D-sub connector.
Please consult 9.16.119 for a connection diagram.

Note:
1) Default disabled, 0Vdc.