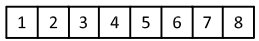
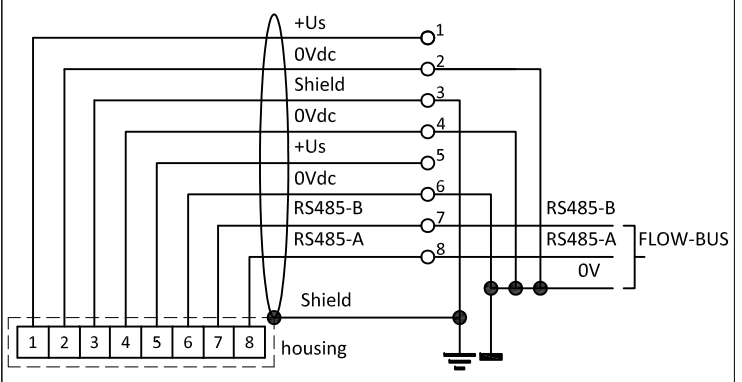


FLOW-BUS + supply

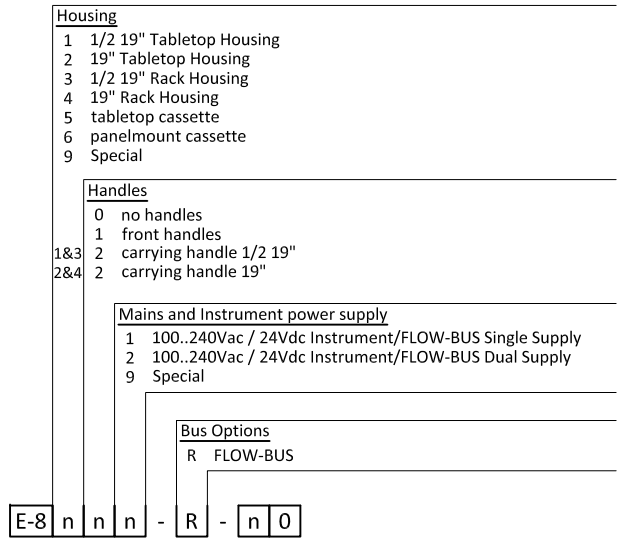
FLOW-BUS connection



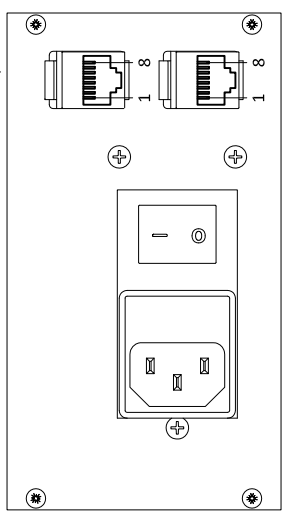
RJ45 modular jack

Note:
 The connection is shown for FLOW-BUS IN and OUT

Model key explanation



RJ45 modular jack (2x)



Note: Shown image is E-8000-R-x0/3