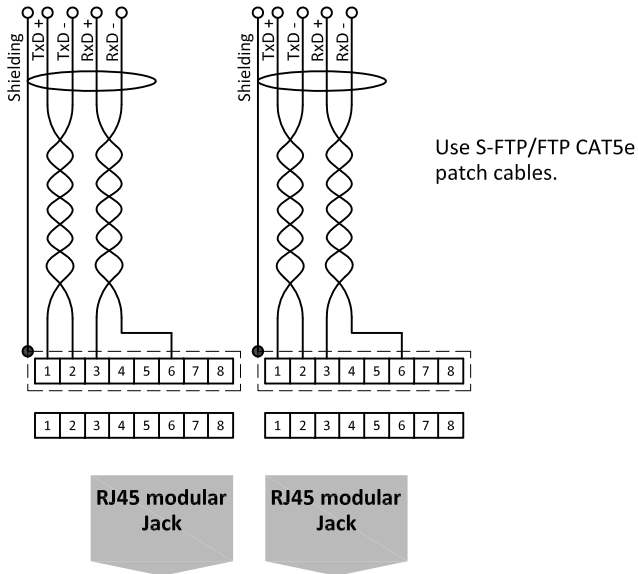


EtherCAT connection



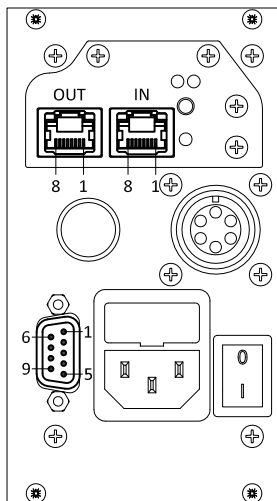
Model key explanation

Front Panel	
0	Blind
1	1 Display with operator function
Rear Panel	
W... CEM	
Ext. Analog Setpoint and Output	
0	none
A	0-5 Vdc
B	0-10 Vdc
F	0-20 mAdc sourcing
G	4-20 mAdc sourcing
Z	specified
Analog sensor	
T	PT100 Temperature
Z	specified
Analog actuator	
U	W100/W200
V	W300
Z	specified

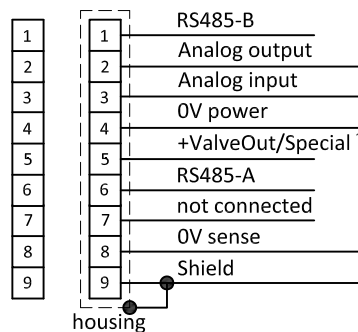
Bus option
EtherCAT T

E-8 n n n - T - n W a a a -

2x RJ45 connector chassis part female



9 pin D-Sub connector chassis part male

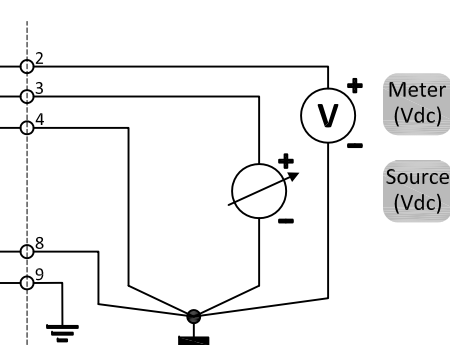


9 pin D-Sub connector chassis part male

9 pin D-Sub connector cable part female

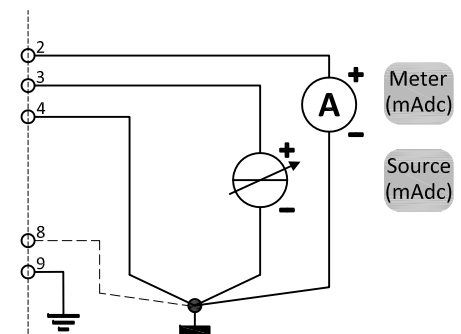
Note:
Do not connect an external valve to the instrument.

Note:
1) +Valve out is 0...10Vdc 1mA.



Analog operated 0...5 or 0...10Vdc

Note:
When using a field bus or RS232, it is not possible to operate the instrument by using the setpoint signal of the analog D-sub connector without changing the value of parameter "control mode". See doc.nr. 9.17.023 for more details.



Analog operated 0...20 or 4...20mAdc