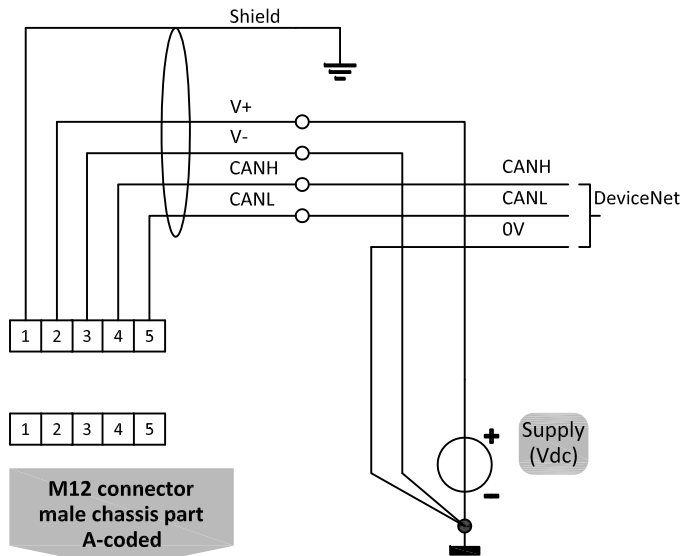


**DeviceNet connection**



**Model key explanation**

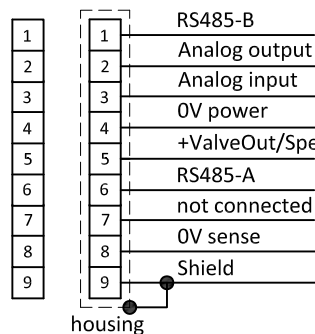
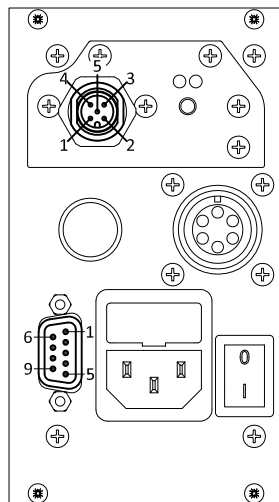
<b>Front Panel</b>	
0	Blind
1	1 Display with operator function
<b>Rear Panel</b>	
W... CEM	
<b>Ext. Analog Setpoint and Output</b>	
0	none
A	0-5 Vdc
B	0-10 Vdc
F	0-20 mAdc sourcing
G	4-20 mAdc sourcing
Z	specified
<b>Analog sensor</b>	
T	PT100 Temperature
Z	specified
<b>Analog actuator</b>	
U	W100/W200
V	W300
Z	specified

Bus option: DeviceNet D

E-8 n n n - D - n W a a a - .....

M12 connector male chassis part A-coded

9 pin D-Sub connector chassis part male



**9 pin D-Sub connector chassis part male**

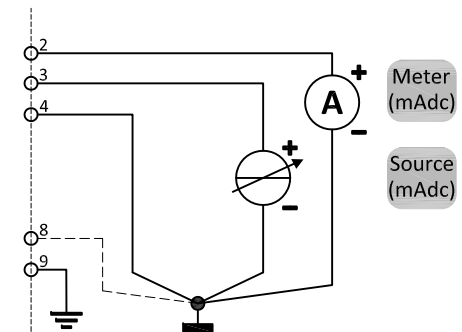
**9 pin D-Sub connector cable part female**

Note:  
Do not connect an external valve to the instrument.

Note:  
1) +Valve out is 0...10Vdc 1mA.

**Analog operated 0...5 or 0...10Vdc**

Note:  
When using a field bus or RS232, it is not possible to operate the instrument by using the setpoint signal of the analog D-sub connector without changing the value of parameter "control mode". See doc.nr. 9.17.023 for more details.



**Analog operated 0...20 or 4...20mAdc**