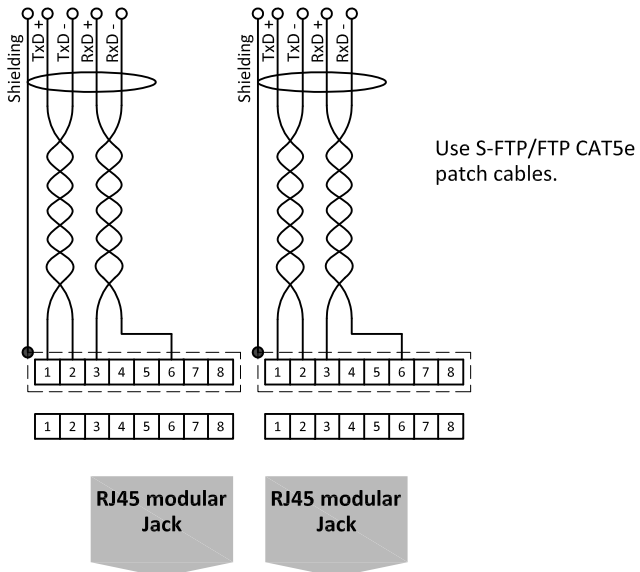


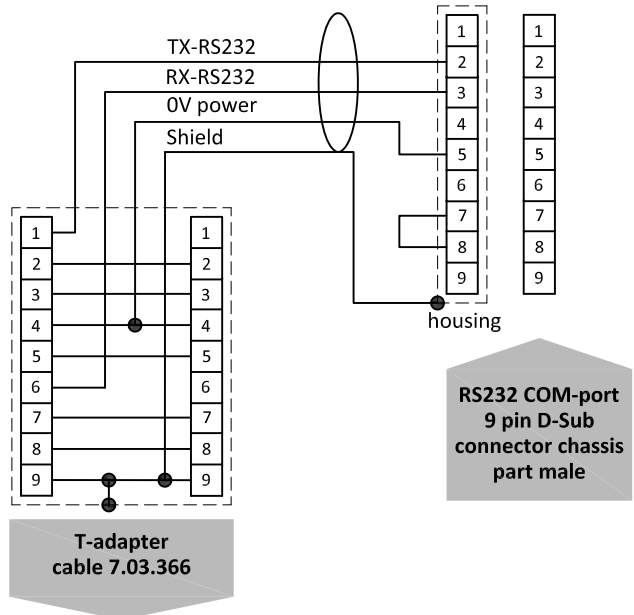
# EtherCAT®

## MULTI-BUS Hook-up diagram

### EtherCAT connection



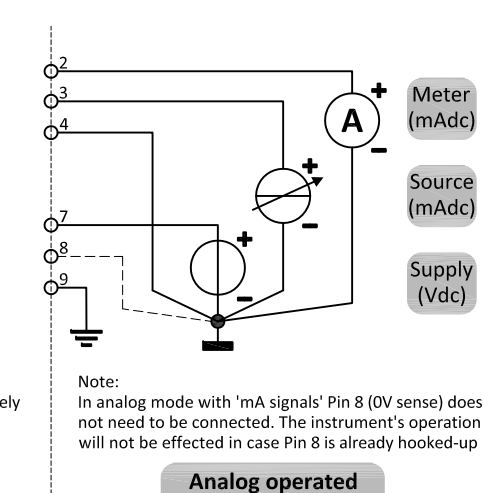
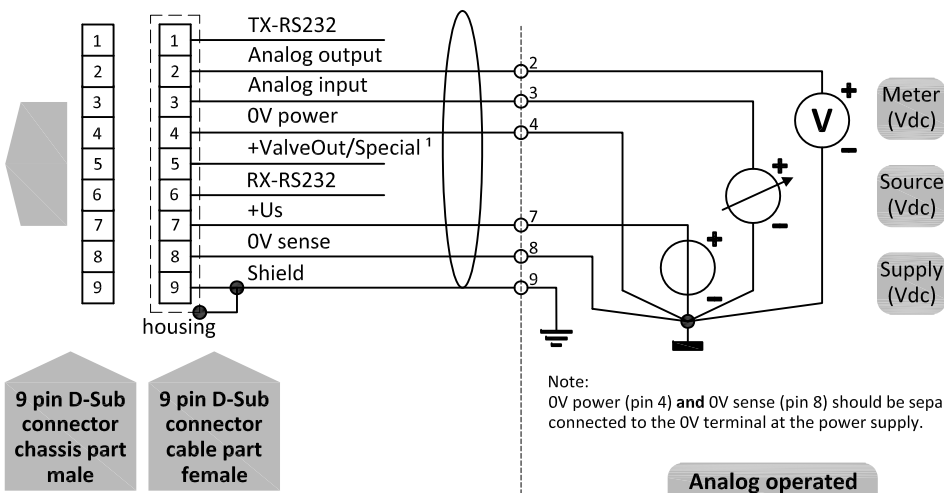
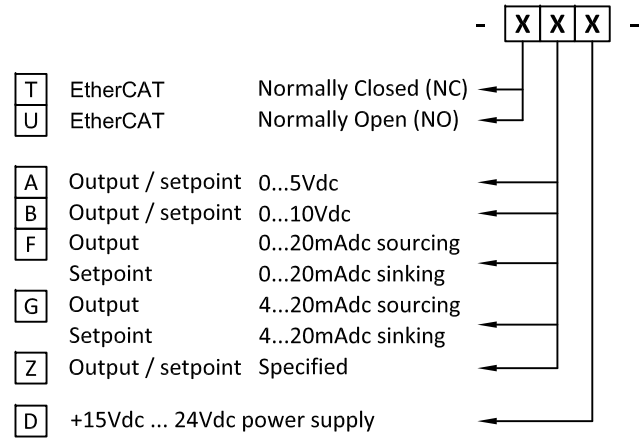
### RS232 connection



### Types

EL-FLOW / EL-PRESS / μ-FLOW/ LIQUI- FLOW

### Model key explanation



Note:  
Do not connect an external valve to instruments, set as MFM or EPM.

Note:  
1) for MBC3 type instruments: +Valve out is 0...10Vdc 1mA

Analog operated  
0...5 or 0...10Vdc

Analog operated  
0...20 or 4...20mA

Note:  
When using a field bus or RS232, it is not possible to operate the instrument by using the setpoint signal of the analog D-sub connector without changing the value of parameter "control mode". See doc.nr. 9.17.023 for more details