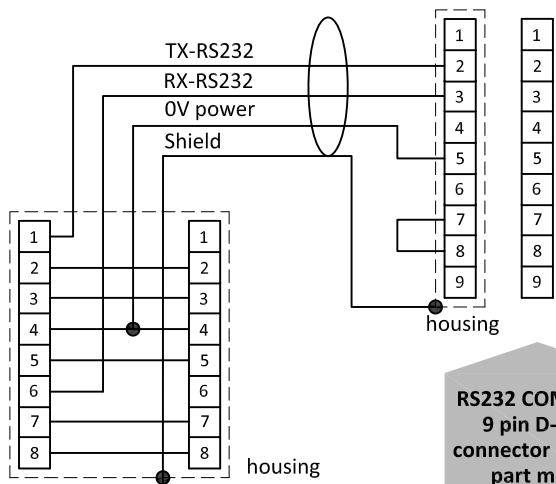




# RS232+Analog I/O

## MULTI-BUS Hook-up diagram

### RS232 connection



RS232 COM-port  
9 pin D-Sub  
connector chassis  
part male

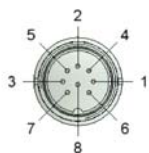
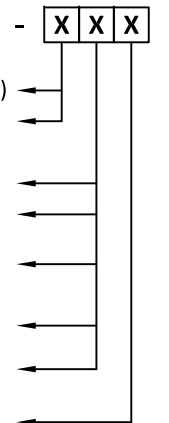
T-adapter  
cable 7.03.444

### Types

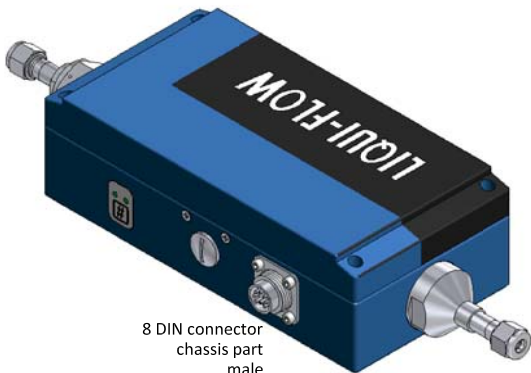
LIQUI-FLOW L30

### Model key explanation

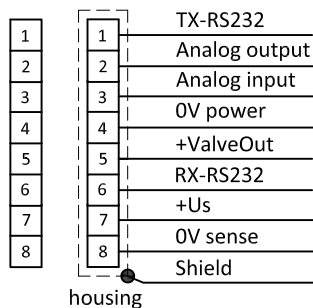
A	RS232 / Ana. I/O	Normally Closed (NC)	←
B	RS232 / Ana. I/O	Normally Open (NO)	←
A	Output / setpoint	0...5Vdc	←
B	Output / setpoint	0...10Vdc	←
F	Output	0...20mAcd sourcing	←
	Setpoint	0...20mAcd sinking	←
G	Output	4...20mAcd sourcing	←
	Setpoint	4...20mAcd sinking	←
Z	Output / setpoint	Specified	←
D	+15Vdc ... 24Vdc power supply		←



8 DIN connector  
chassis part  
male



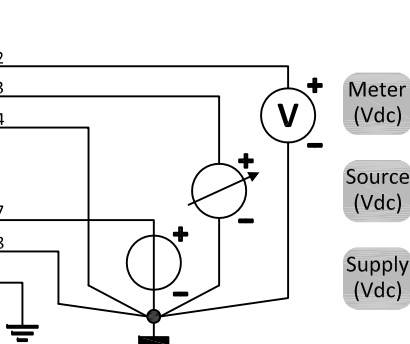
8 DIN connector  
chassis part  
male



8 DIN  
connector  
chassis part  
male

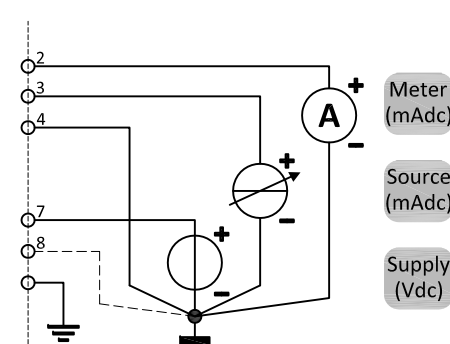
8 DIN  
connector  
cable part  
female

Note:  
Do not connect an external valve to instruments, set as MFM.



Analog operated  
0...5 or 0...10Vdc

Note:  
When using a field bus or RS232, it is not possible to operate the instrument by using the setpoint signal of the analog 8 DIN connector without changing the value of parameter "control mode". See doc.nr. 9.17.023 for more details



Analog operated  
0...20 or 4...20mAcd

Note:  
In analog mode with 'mA signals' Pin 8 (0V sense) does not need to be connected. The instrument's operation will not be effected in case Pin 8 is already hooked-up