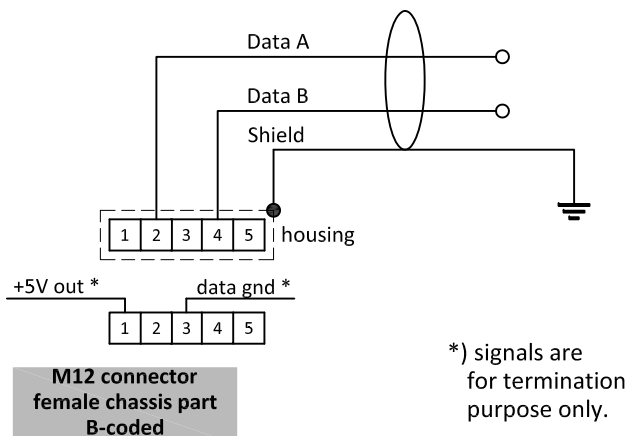




PROFIBUS DP

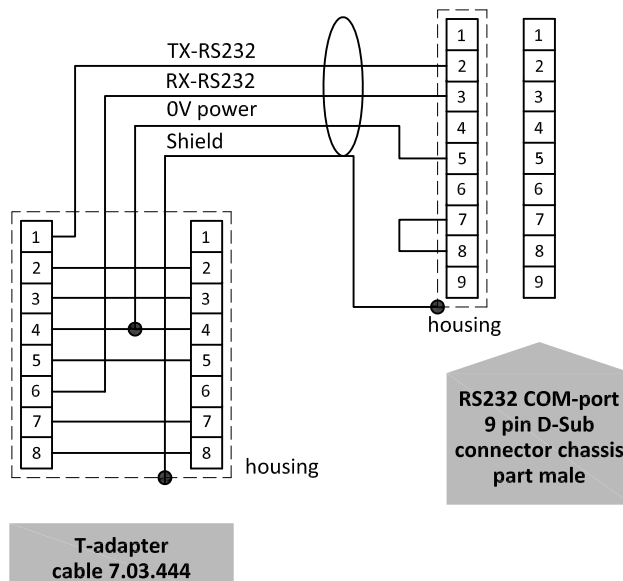
MULTI-BUS Hook-up diagram

PROFIBUS connection



M12 connector female chassis part B-coded

RS232 connection

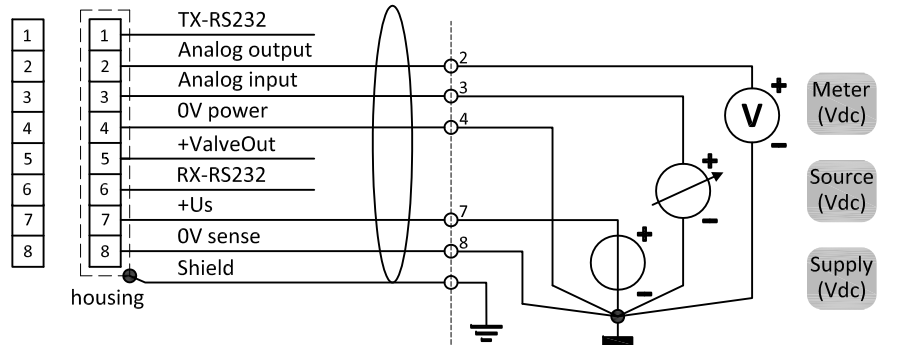
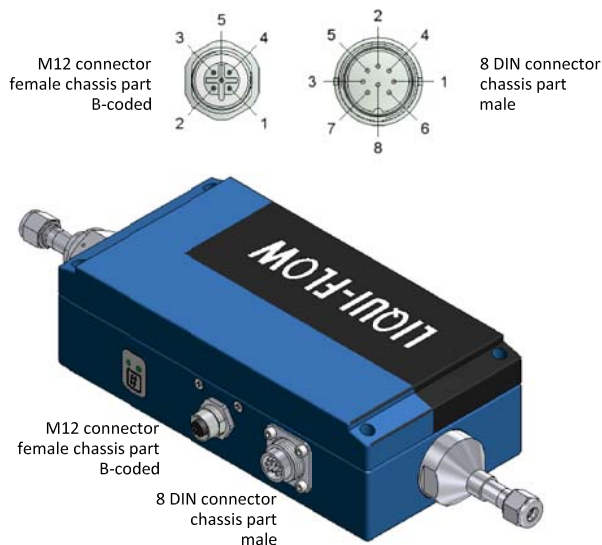
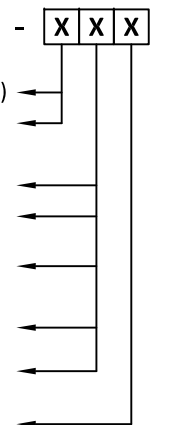


Types

LIQUI-FLOW L30

Model key explanation

P	PROFIBUS DP	Normally Closed (NC)	←
Q	PROFIBUS DP	Normally Open (NO)	←
A	Output / setpoint	0...5Vdc	←
B	Output / setpoint	0...10Vdc	←
F	Output	0...20mAcd sourcing	←
	Setpoint	0...20mAcd sinking	←
G	Output	4...20mAcd sourcing	←
	Setpoint	4...20mAcd sinking	←
Z	Output / setpoint	Specified	←
D	+15Vdc ... 24Vdc power supply		←



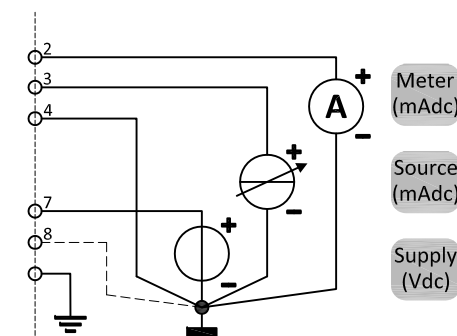
Note:
Do not connect an external valve to instruments, set as MFM.

8 DIN connector chassis part male

8 DIN connector cable part female

Analog operated 0...5 or 0...10Vdc

Note:
When using a field bus or RS232, it is not possible to operate the instrument by using the setpoint signal of the analog 8 DIN connector without changing the value of parameter "control mode". See doc.nr. 9.17.023 for more details



Note:
In analog mode with 'mA signals' Pin 8 (0V sense) does not need to be connected. The instrument's operation will not be effected in case Pin 8 is already hooked-up

Analog operated 0...20 or 4...20mAcd