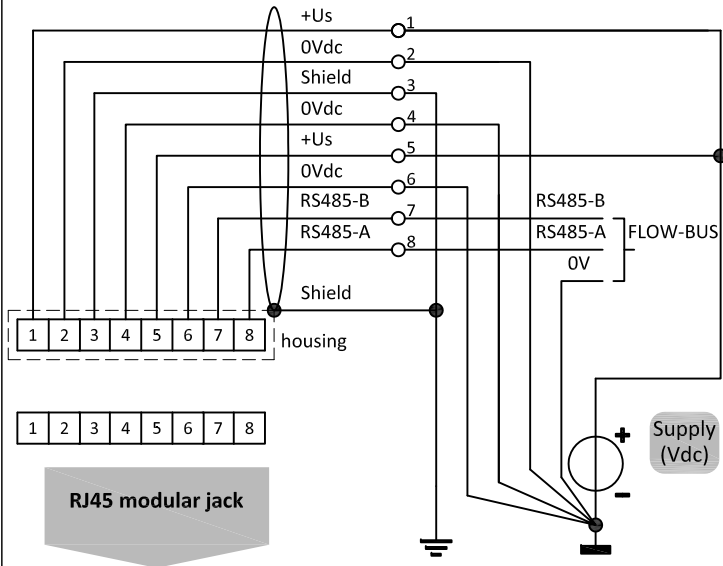




FLOW-BUS

MULTI-BUS Hook-up diagram

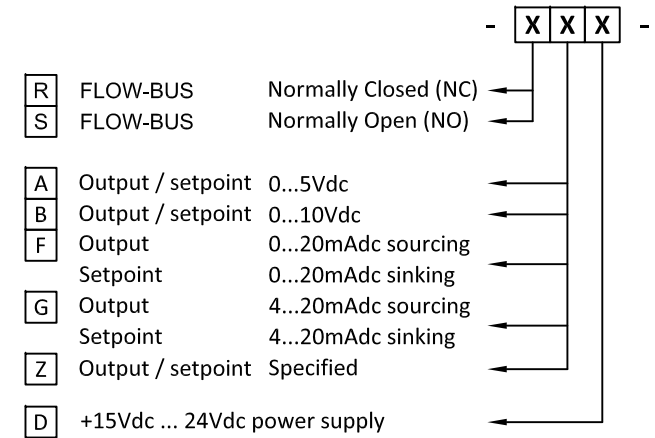
FLOW-BUS connection



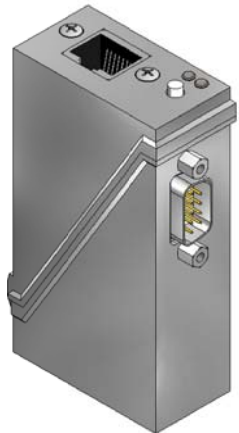
Types

EL-FLOW / EL-PRESS / μ -FLOW/ LIQUI- FLOW

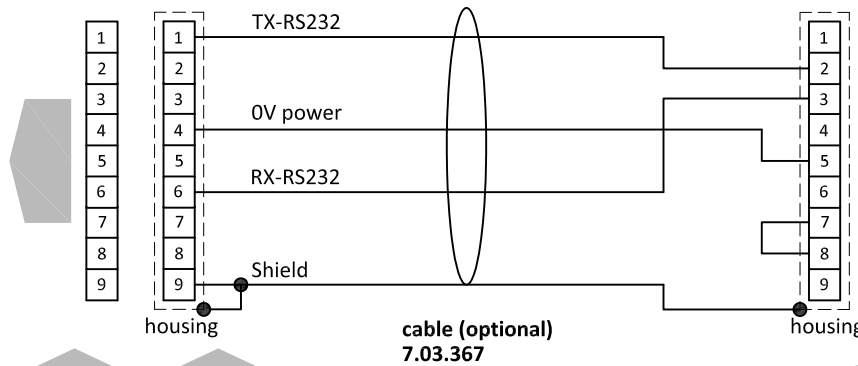
Model key explanation



RJ45 modular jack



9 pin D-Sub connector chassis part male



9 pin D-Sub connector chassis part male

9 pin D-Sub connector cable part female

RS232 COM -port 9 pin D-Sub connector chassis part male

Note:
When using a field bus or RS232, it is not possible to operate the instrument by using the setpoint signal of the analog D-sub connector without changing the value of parameter "control mode".
See doc.nr. 9.17.023 for more details

Note:
Do not connect an external valve to instruments, set as MFM or EPM

Note:
Powering a single instrument is possible by the D-sub connector.
Please consult 9.16.062 for a connection diagram.