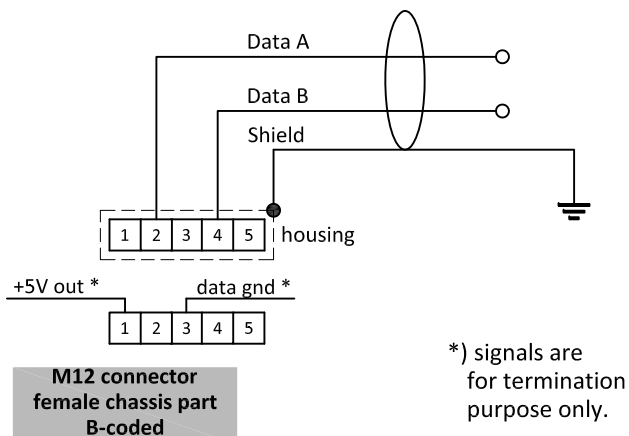




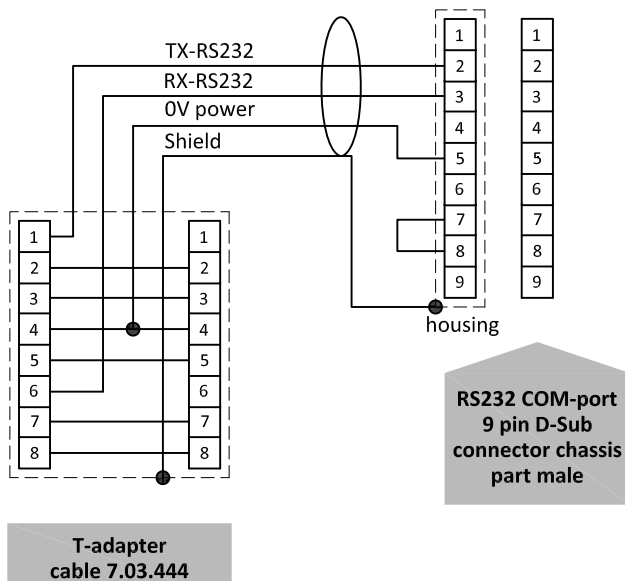
# PROFIBUS DP

## MULTI-BUS Hook-up diagram

### PROFIBUS connection



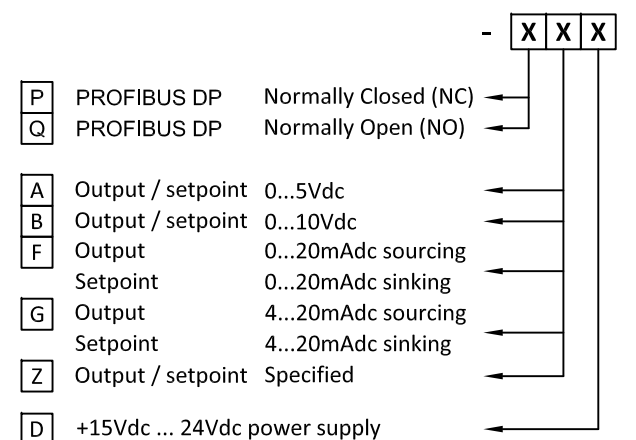
### RS232 connection



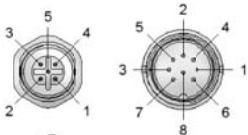
### Types

IN-FLOW / IN-PRESS / LIQUI- FLOW

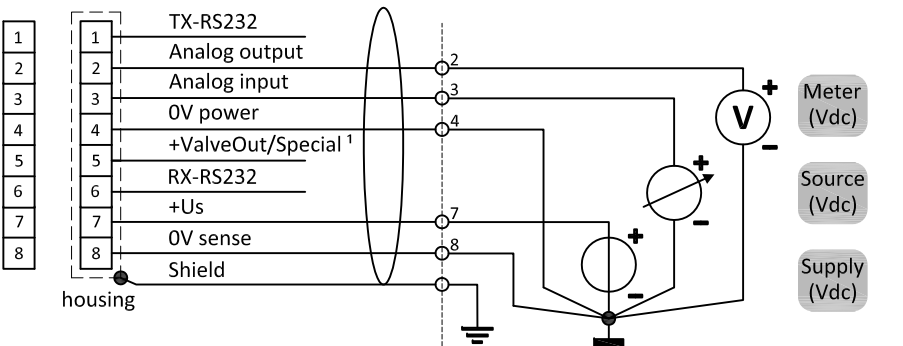
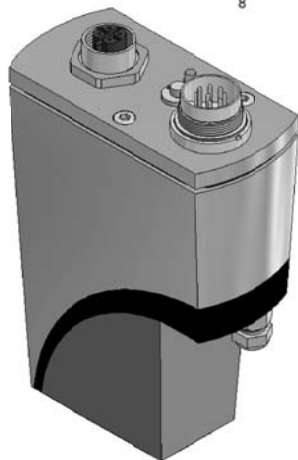
### Model key explanation



M12 connector female chassis part B-coded

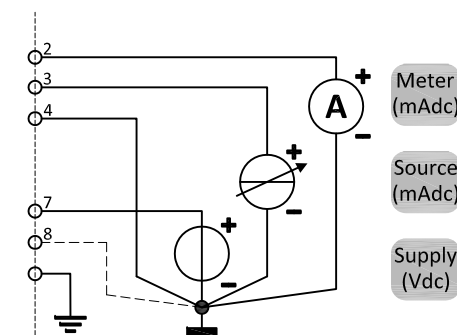


8 DIN connector chassis part male



Note:  
Do not connect an external valve to instruments, set as MFM or EPM.

Note:  
1) for MBC3 type instruments: +Valve out is 0...10Vdc 1mA



Note:  
In analog mode with 'mA signals' Pin 8 (0V sense) does not need to be connected. The instrument's operation will not be effected in case Pin 8 is already hooked-up

**Analog operated 0...5 or 0...10Vdc**

**Analog operated 0...20 or 4...20mAdc**

Note:  
When using a field bus or RS232, it is not possible to operate the instrument by using the setpoint signal of the analog 8 DIN connector without changing the value of parameter "control mode". See doc.nr. 9.17.023 for more details