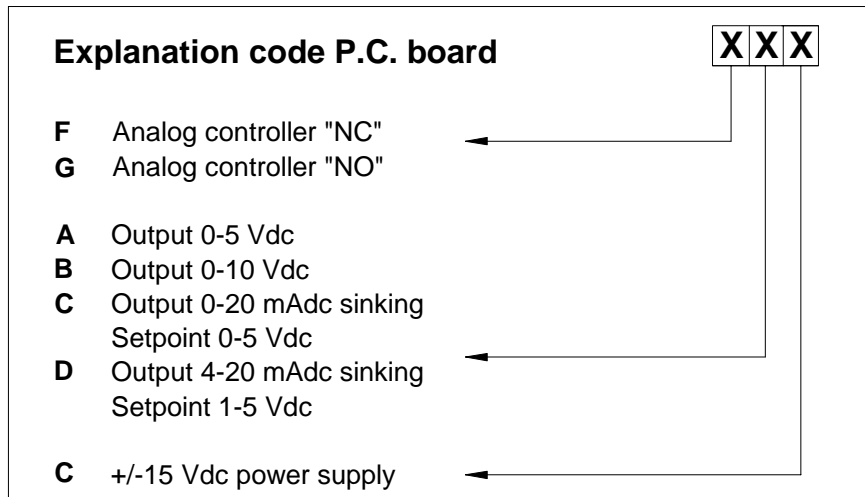
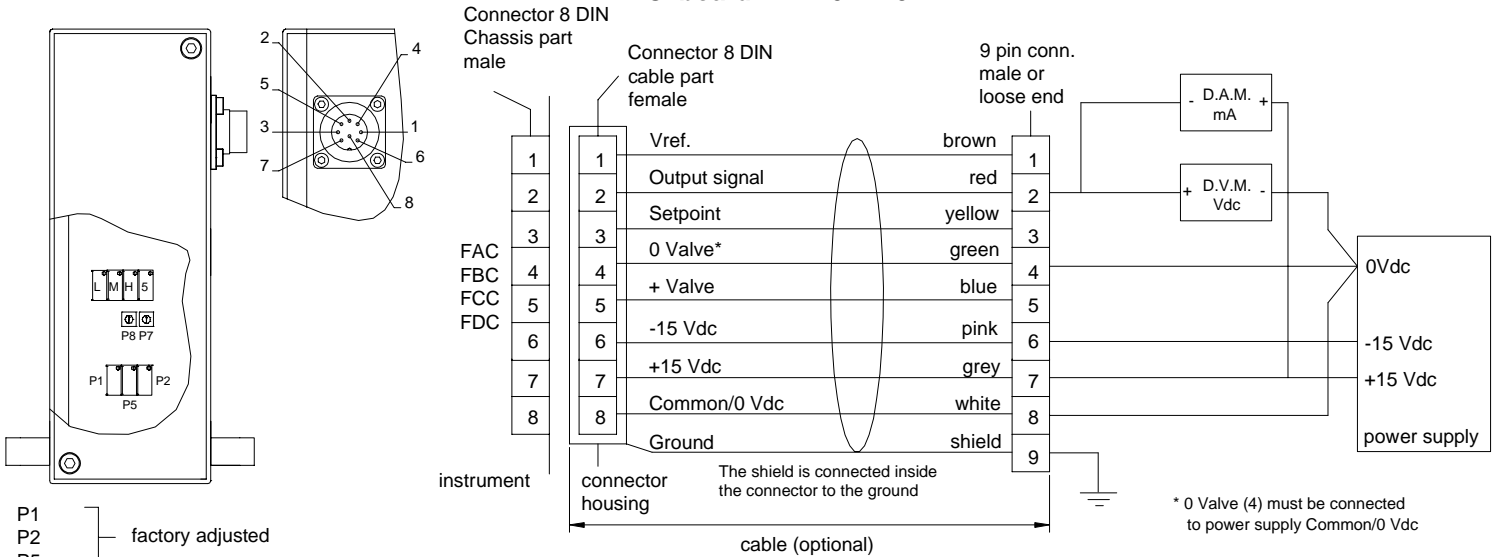


LIQUI-FLOW L1/L2 P.C. board lay-out and hook-up diagram LFM and LFC



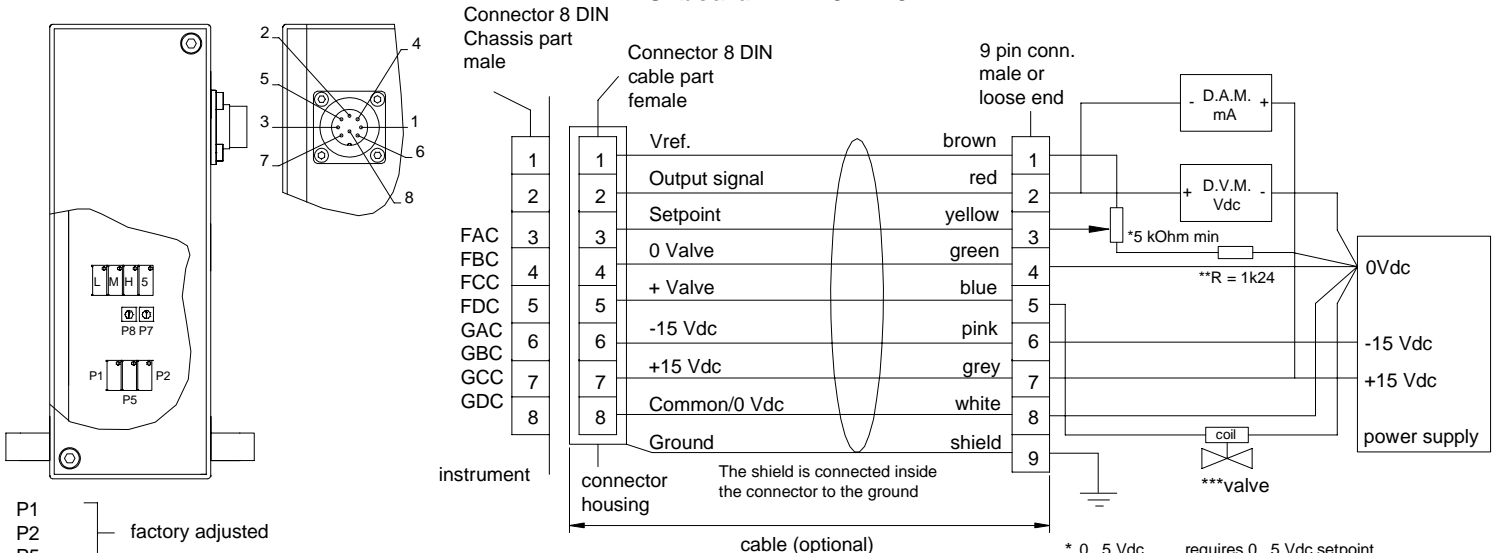
NC = Normally close
 NO = Normally open

LFM P.C. board nr.: 4.01.275



P1 } factory adjusted
 P2 }
 P5 }
 P7 Controls the output differentiating network. This determines the dynamic response characteristic of the output signal of the instrument.
 In general P7 is factory adjusted.

LFC P.C. board nr.: 4.01.275



P1 } factory adjusted
 P2 }
 P5 }
 P7 controls the output differentiating network. This determines the dynamic response characteristic of the output signal of the instrument.
 P8 controls the D-action of the control circuit.
 In general P7 and P8 are factory adjusted.

* 0...5 Vdc requires 0...5 Vdc setpoint
 0...10 Vdc requires 0...10 Vdc setpoint
 0...20 mA requires 0...5 Vdc setpoint
 4...20 mA requires 1...5 Vdc setpoint
 ** only for 1...5 Vdc setpoint