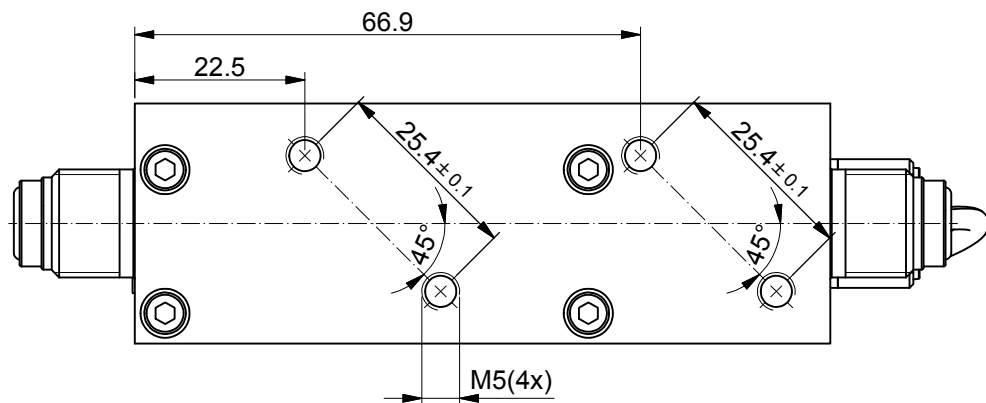



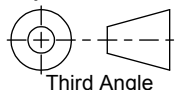
(1:2)



For bus applications height H=max. 18 mm.  
Please note that the height increases when a  
contra connector is used.

Dimensions subject to change without notice.

Tolerances ± 0.2 unless  
otherwise mentioned

Title: <b>Dimensional drawing</b> M12/13/14 V10/11/14 VCR		Drawer : J.H.	Revision Description: Logo changed		
 <b>Bronkhorst</b> WWW.BRONKHORST.COM		Date: 13-09-2007	Rev. by: R.Ge.    Scale: 1:1    A3		
		Checked : J.E.			
Projection:  Third Angle Dimensions: Metric (mm)		Date: 18-11-2015	Drawing no.: 7.05.688	Rev.: C	Page: 1-1