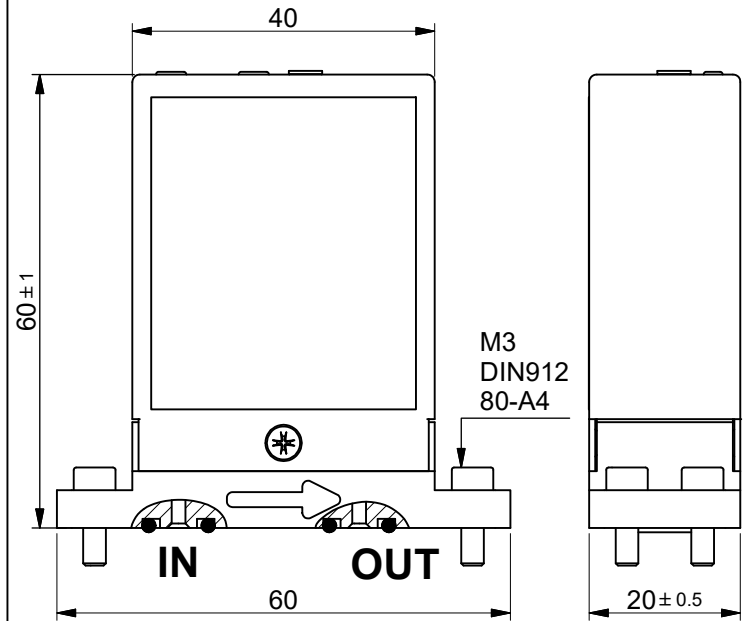
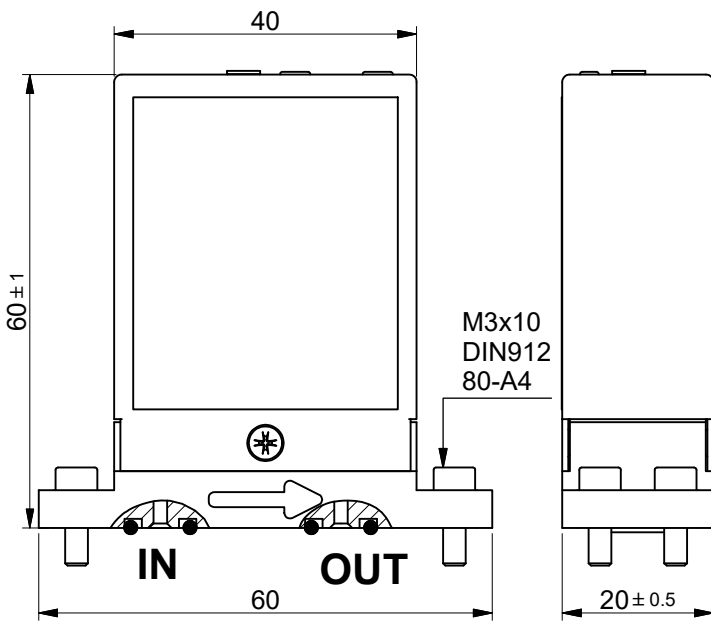
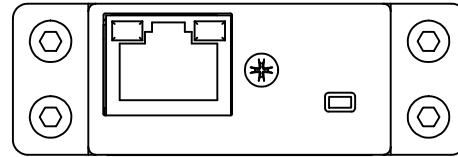
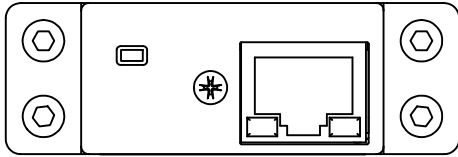
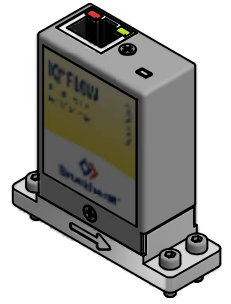


IQFD 100 / 200 serie
IQPD 500 / 700 serie



IQPD 600 serie



For all series:

Base body material	L length screw	X thread depth
Stainless Steel (recommended)	10	5.5
Aluminium	12	7.5

Screws M3x10 will be delivered with the instrument (for use in a stainless steel base body).

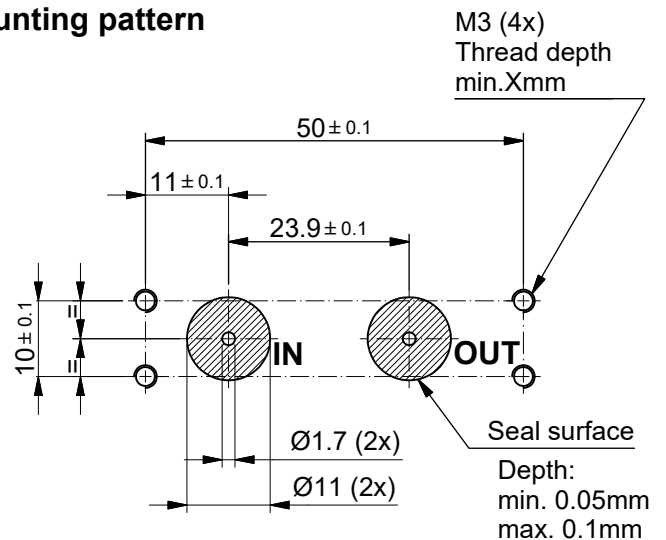
Viton O-rings AS010 will be delivered with the instrument.

Dimensions subject to change without notice.

Seal surface $\frac{0.8}{C}$
without cross scratch

Tolerances $\pm 0.2\text{mm}$ unless otherwise mentioned

Mounting pattern



Title: **Dimensional drawing IQ+ Flow down ported RS232/RS485**

Drawer : M.H.
Date: 30-05-2013

Revision Description:
Rebranding Bronkhorst.



Projection:
Third Angle
Dimensions:
Metric (mm)

Checked : J.E.
Date: 3-11-2016

Rev. by: R.Ge. Scale: 1:1 A4

Drawing no.: 7.05.871 Rev.: B Page: 1-1